

**VICINITY MAP**  
SCALE: 1" = 320,000'±

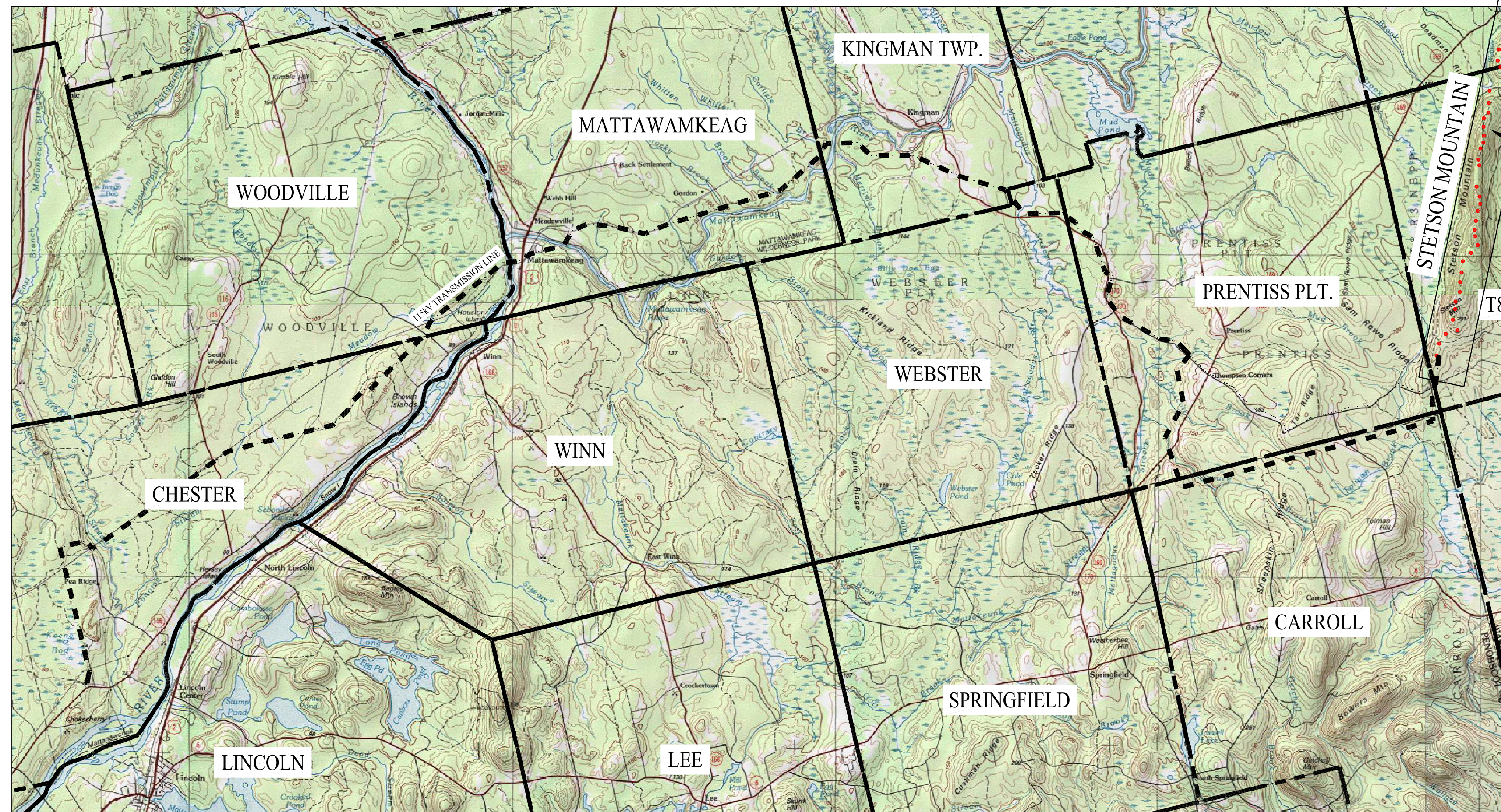
# 34.5 kV COLLECTOR SYSTEM

## STETSON WIND PROJECT

LOCATED ON:  
STETSON MOUNTAIN, T8 R3 & T8 R4 NBPP  
WASHINGTON COUNTY, MAINE

**SHEET INDEX**

COVER INDEX	COVER SHEET
PP1 - PP15	INDEX SHEET
DE1 - DE5	PLAN AND PROFILE SHEETS
	DETAIL SHEETS



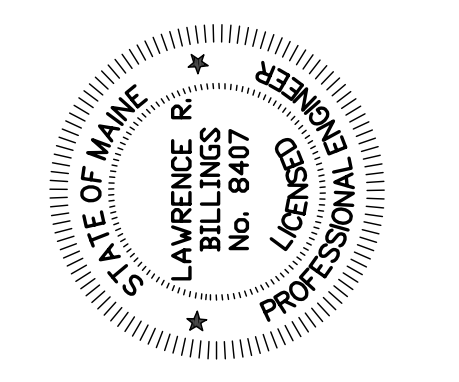
**LOCATION PLAN**  
SCALE: 1" = 8,500'±

PROJECT LOCATION  
COLLECTOR SYSTEM

**LEGEND:**

	TOWN LINE
	PROPOSED WIND TURBINE LOCATIONS
	PROPOSED 115kV TRANSMISSION LINE

NO.	REVISIONS:	APPD:	DATE:
0	PERMITTING REVIEW	LRB	09/24/07



**SGC ENGINEERING, LLC**  
 • Civil Design & Survey Engineering  
 • Environmental & Regulatory Permitting  
 • Electrical Power Systems Engineering

100 Wells Ave., Suite 201, Newton, MA 02459  
 Tel: 617.552.1000 Fax: 617.552.1001

DATE: SEPT. 21, 2007  
 DRAWN: TAL  
 CHECKED: TAL  
 APPROVED: xxx

TITLE: COVER SHEET  
 PROJECT: 34.5kV COLLECTOR SYSTEM  
 STETSON WIND PROJECT  
 T8 R3 & T8 R4 NBPP, MAINE  
 CLIENT: EVERGREEN WIND POWER V, LLC  
 100 Wells Ave., Suite 201, Newton, MA 02459

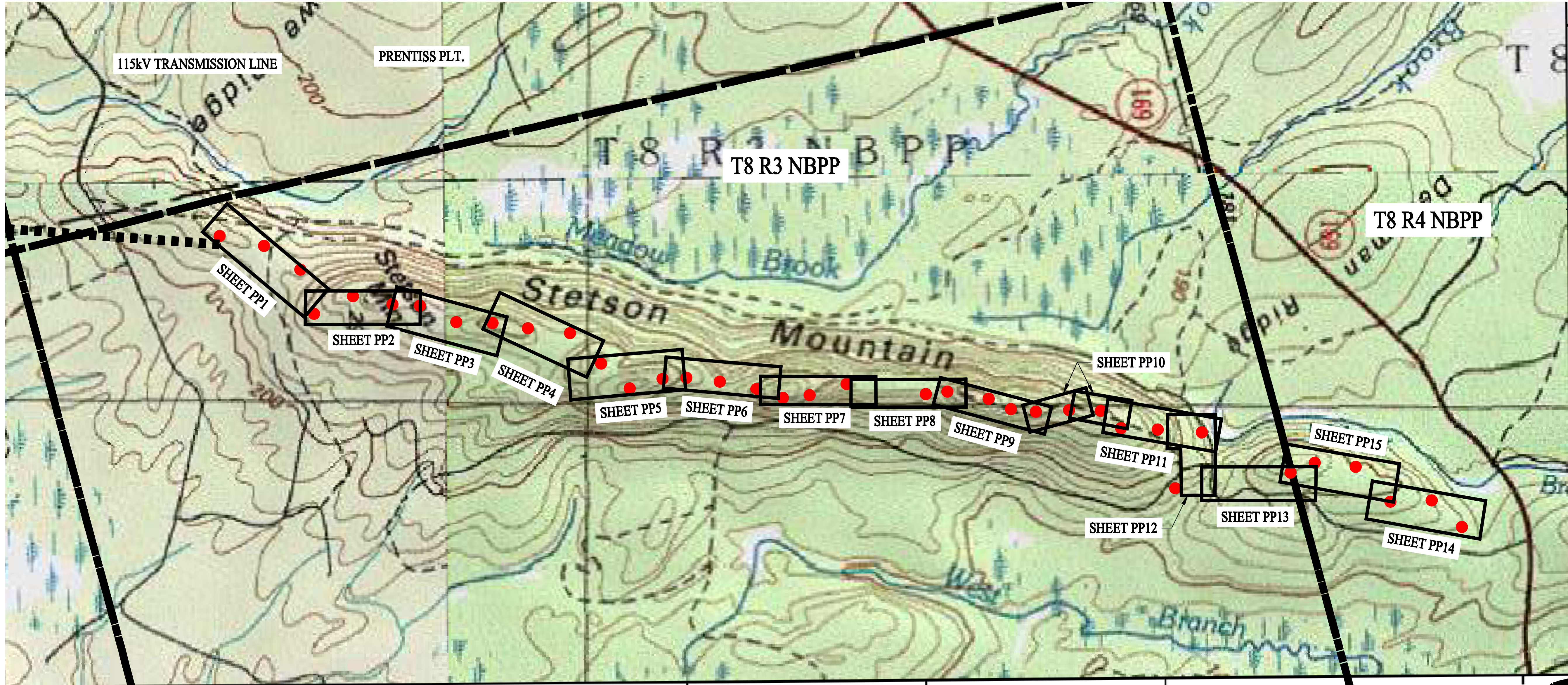
DRAWING COVER SHEET  
 SHEET 1 OF 22

DRAWING NUMBER  
 102-1013

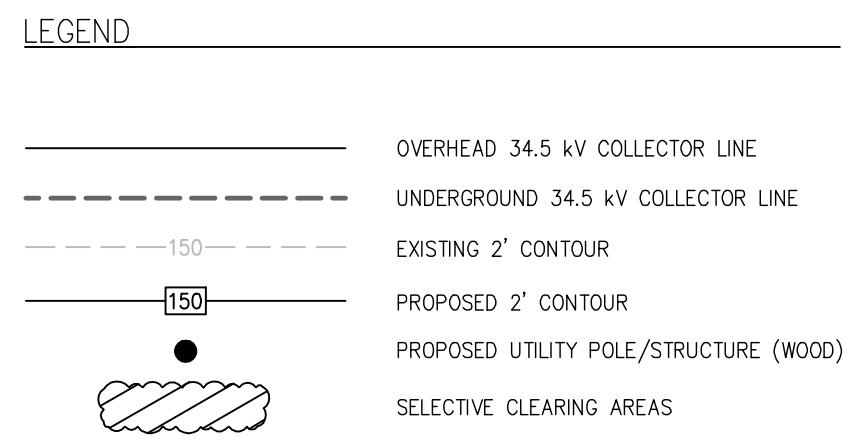
**FOR PERMITTING REVIEW ONLY**



C:\Projects\572001 LPC Stetson Mt\Electrical\T&D\34.5 KV Collector System\Drawings\102-1013.dwg, 10/12/2007 10:38:42 AM, Acrobat Distiller.pc3



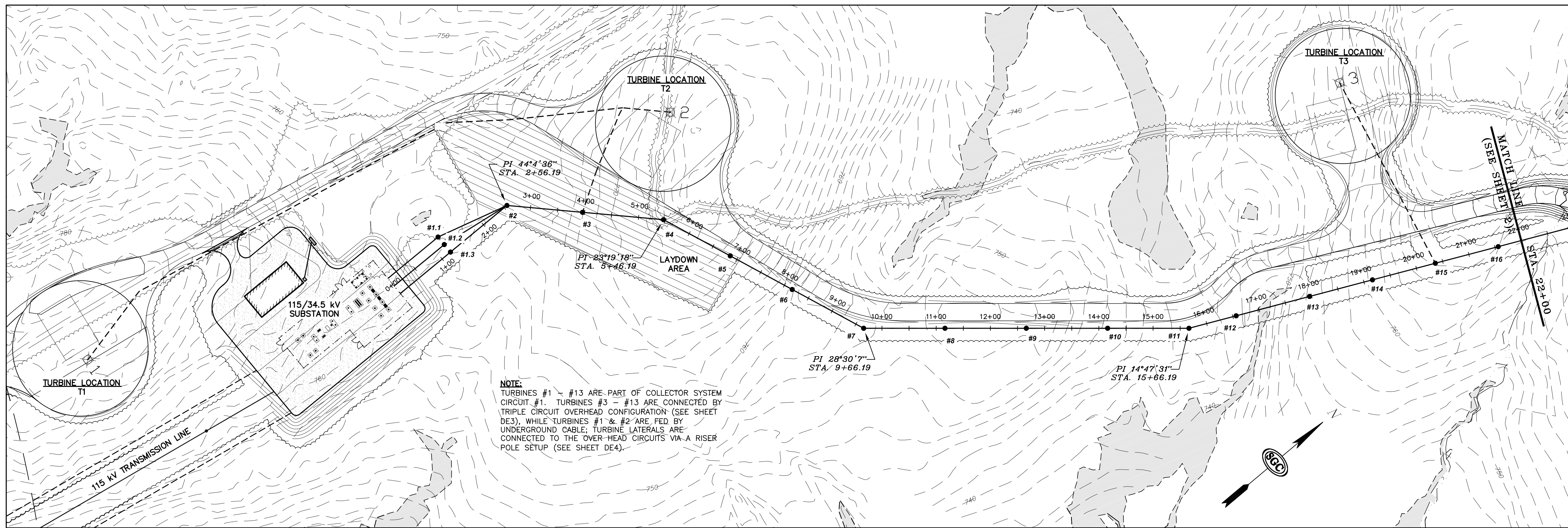
- STRUCTURE DESIGNATIONS:**
- 1A SINGLE CIRCUIT, TANGENT STRUCTURE 40', SEE DETAIL SHEET DE1
  - 1B SINGLE CIRCUIT, 1-5° ANGLE STRUCTURE 40', SEE DETAIL SHEET DE1
  - 1C SINGLE CIRCUIT, 6-20° ANGLE STRUCTURE 40', SEE DETAIL SHEET DE1
  - 1D SINGLE CIRCUIT, 21-35° ANGLE STRUCTURE 40', SEE DETAIL SHEET DE1
  - 1E SINGLE CIRCUIT, 36-60° ANGLE STRUCTURE 40', SEE DETAIL SHEET DE1
  - 1F SINGLE CIRCUIT, DEAD-END STRUCTURE 40', SEE DETAIL SHEET DE1
  - 1F SINGLE CIRCUIT, 90° DEAD-END STRUCTURE 40', SEE DETAIL SHEET DE1
  - 2A DOUBLE CIRCUIT, TANGENT STRUCTURE 45', SEE DETAIL SHEET DE2
  - 2B DOUBLE CIRCUIT, 1-5° ANGLE STRUCTURE 45', SEE DETAIL SHEET DE2
  - 2C DOUBLE CIRCUIT, 6-20° ANGLE STRUCTURE 45', SEE DETAIL SHEET DE2
  - 2D DOUBLE CIRCUIT, 21-35° ANGLE STRUCTURE 45', SEE DETAIL SHEET DE2
  - 2E DOUBLE CIRCUIT, 36-60° ANGLE STRUCTURE 45', SEE DETAIL SHEET DE2
  - 2F DOUBLE CIRCUIT, DEAD-END STRUCTURE 45', SEE DETAIL SHEET DE2
  - 3A TRIPLE CIRCUIT, TANGENT STRUCTURE 50', SEE DETAIL SHEET DE3
  - 3B TRIPLE CIRCUIT, 1-5° ANGLE STRUCTURE 50', SEE DETAIL SHEET DE3
  - 3C TRIPLE CIRCUIT, 6-20° ANGLE STRUCTURE 50', SEE DETAIL SHEET DE3
  - 3D TRIPLE CIRCUIT, 21-35° ANGLE STRUCTURE 50', SEE DETAIL SHEET DE3
  - 3E TRIPLE CIRCUIT, 36-60° ANGLE STRUCTURE 50', SEE DETAIL SHEET DE3
  - 3F TRIPLE CIRCUIT, DEAD-END STRUCTURE 50', SEE DETAIL SHEET DE3



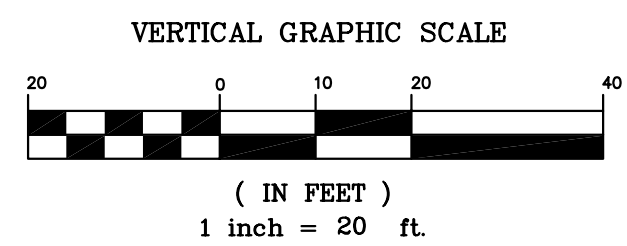
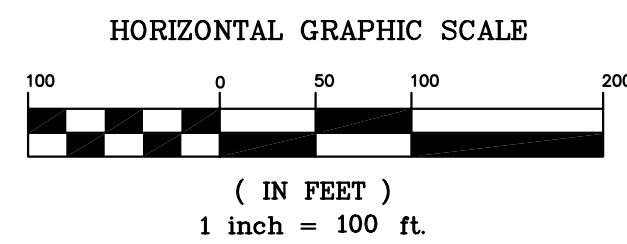
**FOR PERMITTING REVIEW ONLY**

NO.	0	REVISIONS:	PERMITTING REVIEW	APPD:	LBB	DATE:	09/24/07
<p><b>SGC ENGINEERING, LLC</b>          • Civil Design &amp; Survey Engineering          • Environmental &amp; Regulatory Permitting          • Electrical Power Systems Engineering</p> <p>185 Chestnut Street, Suite 200          Portland, Maine 04101          Tel: 207-761-8300          Fax: 207-761-8301</p> <p>SGC Project: 572001      Date: SEPT. 21, 2007      Drawn: Design Appt.      File: 102-1013.dwg      T&amp;D      xxx</p>							
<p><b>INDEX SHEET</b></p> <p>Project: <b>34.5 KV COLLECTOR SYSTEM STETSON WIND PROJECT T8R3 &amp; T8R4 NBPP, MAINE</b></p> <p>Client: <b>EVERGREEN WIND POWER V, LLC</b> 100 Wells Ave., Suite 201, Newton, MA 02459</p>				<p>DRAWING INDEX</p> <p>SHEET 2 OF 22</p> <p>DRAWING NUMBER</p> <p>102-1013</p>			

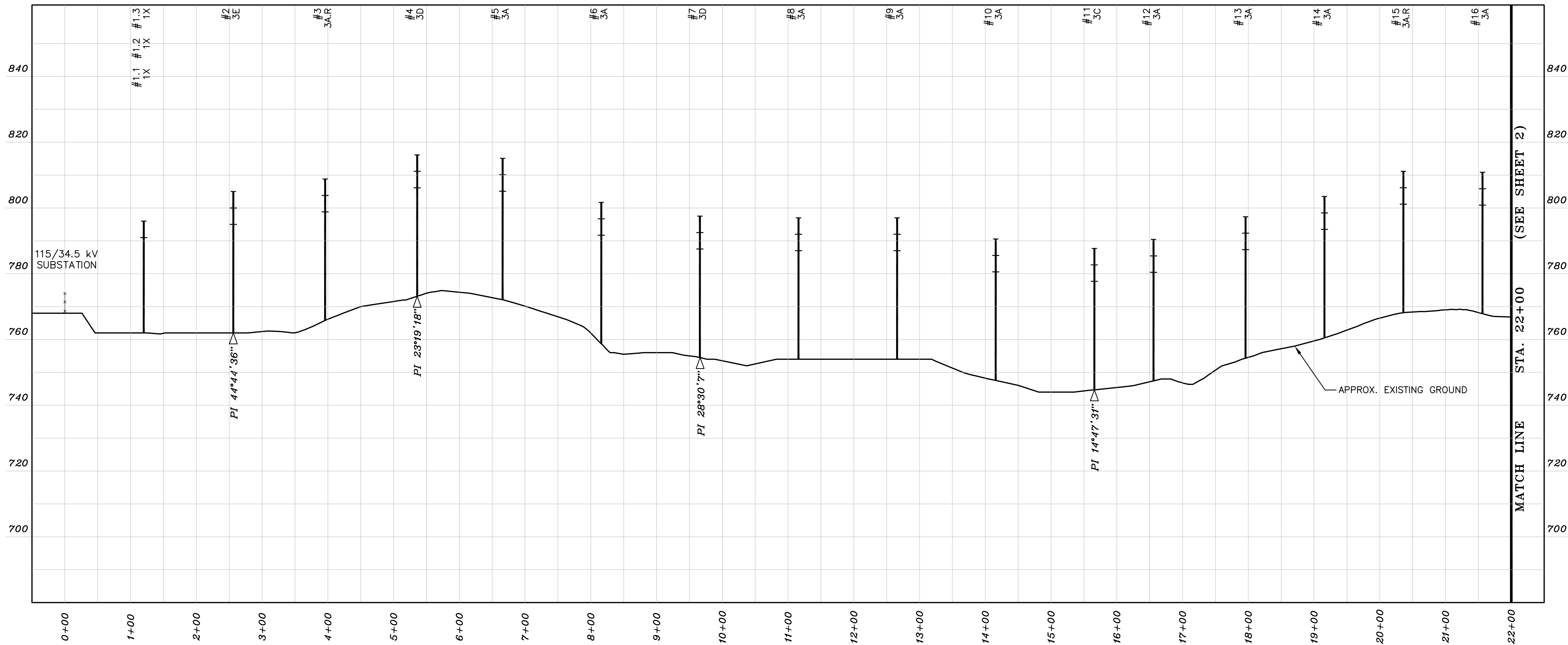




PLAN



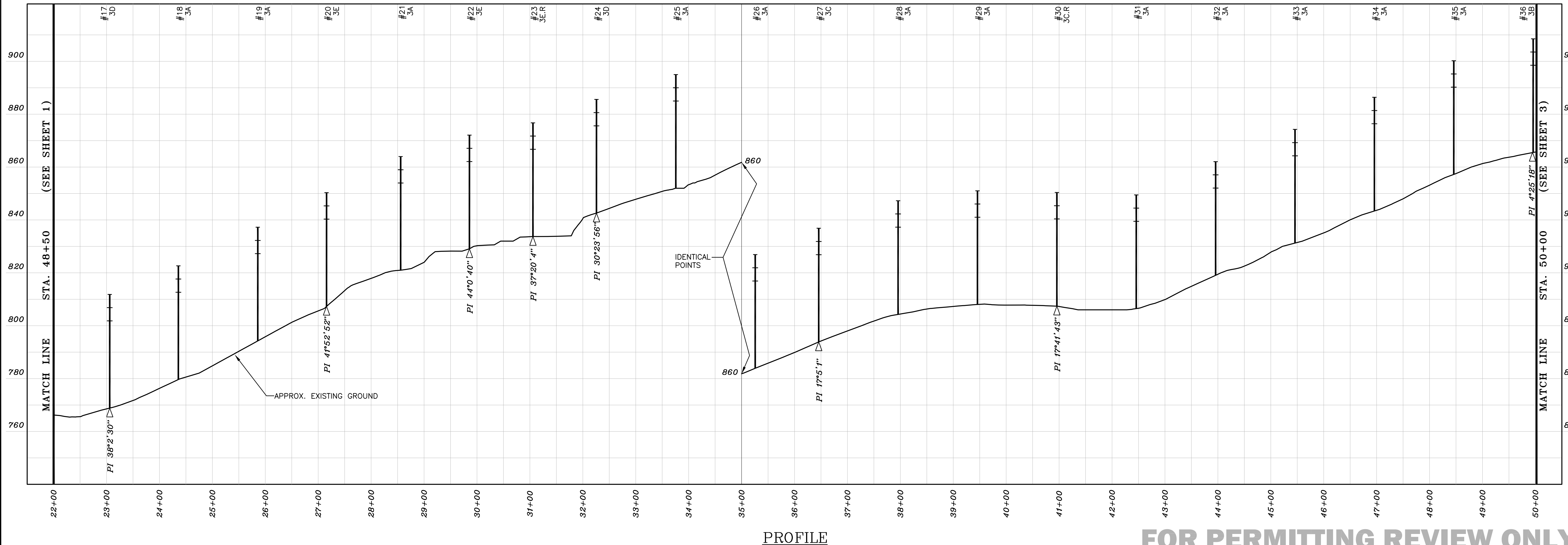
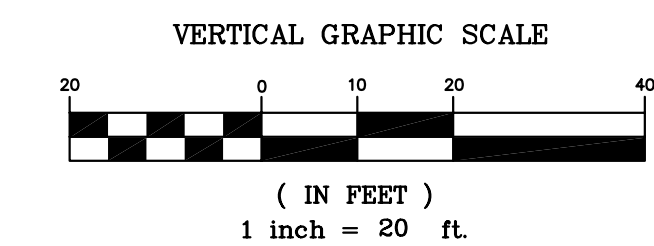
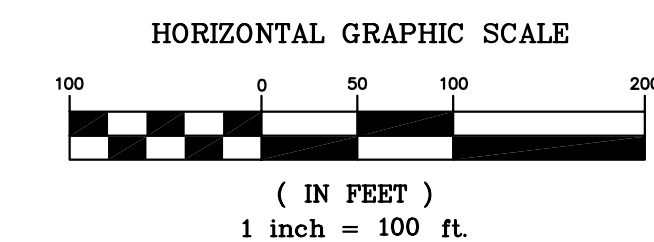
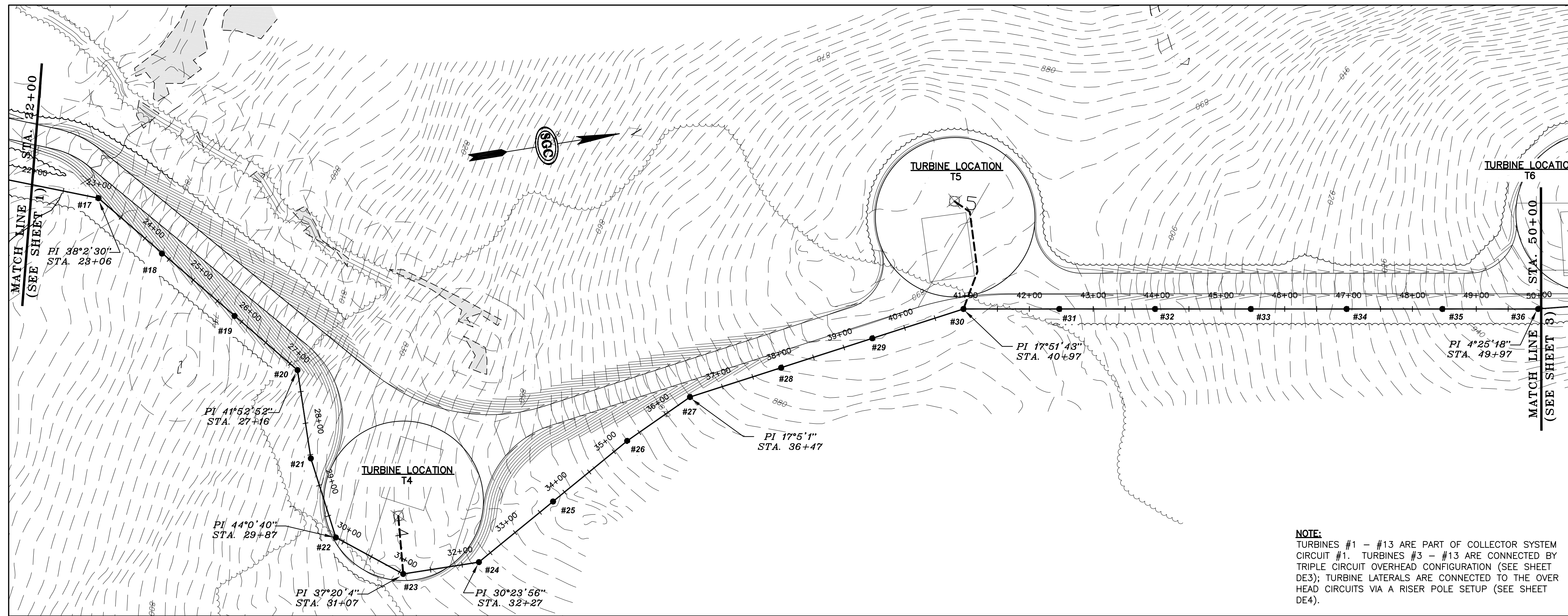
**NOTE:**  
 THE COLLECTOR SYSTEM CONSISTS OF THREE CIRCUITS. ONE WHICH CONNECTS TURBINES #1 - #13, A SECOND WHICH CONNECTS TURBINES #14 - #26, AND A THIRD WHICH CONSISTS OF TURBINES #27 - #38. ALL COLLECTOR CIRCUITS ARE OVERHEAD CONSTRUCTION, WITH THE EXCEPTION OF TURBINES #1 & #2 WHICH ARE FED BY UNDERGROUND CABLE. LATERAL CIRCUITS THAT FEED TURBINES TAP THE OVERHEAD LINE VIA A RISER SETUP (SEE SHEET DE4), AND ARE DENOTED ON THE PLAN AND PROFILE SHEETS WITH A SUBSCRIPT "R". ROAD CROSSINGS ARE ALL ROUTED UNDERGROUND VIA A GANG OPERATED RISER SETUP (SEE SHEET DE4). UNDERGROUND LATERALS AND ROAD CROSSINGS WILL BE ROUTED IN ONE TRENCH WHERE POSSIBLE; LATERALS AND ROAD CROSSINGS SHOWN SEPARATELY FOR CLARITY ON DRAWINGS.



PROFILE

FOR PERMITTING REVIEW ONLY

NO.	0	REVISIONS:	PERMITTING REVIEW	APPD:	LRB	DATE:	09/24/07
<p><b>SGC ENGINEERING, LLC</b>        • Civil Design &amp; Survey Engineering        • Environmental &amp; Regulatory Permitting        • Electrical Power Systems Engineering</p> <p>801 Camp Road        Bangor, Maine 04401        Phone: 207.686.1100        Fax: 207.686.1111</p> <p>SERVING OUR CLIENTS IN THE U.S.A. &amp; CANADA        40 South Street, Suite 200        South Portland, ME 04086        Phone: 207.884.1100        Fax: 207.884.1111</p>							
File:	Filename	Drawn:	MGL	JTF	Appd:	SGC	
Date:	SEPT. 21, 2007	Project:	572001				
<p><b>COLLECTOR LINE PLAN &amp; PROFILE</b></p> <p>Project: <b>34.5 kV COLLECTOR SYSTEM STETSON WIND PROJECT T8R3 &amp; T8R4 NBPP, MAINE</b></p> <p>Client: <b>EVERGREEN WIND POWER V, LLC</b>        100 Wells Ave., Suite 201, Newton, MA 02459</p>							
DRAWING	SHEET						
PP1	3 OF 22						
DRAWING NUMBER							
572001-PP1							

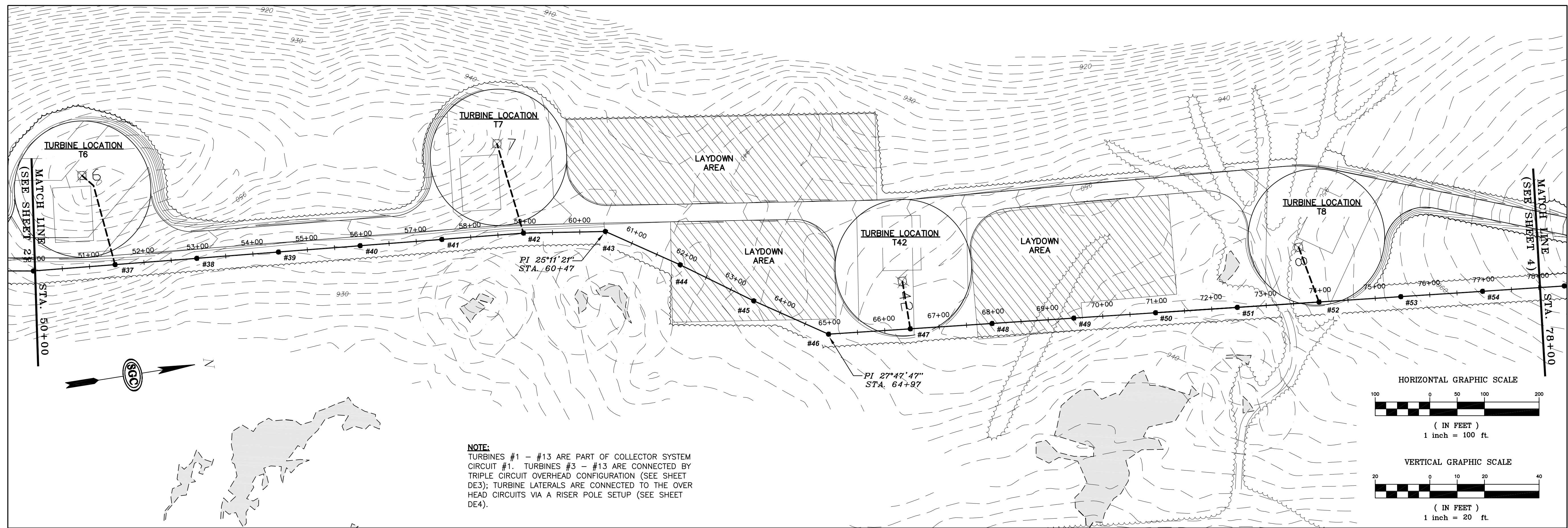


FOR PERMITTING REVIEW ONLY

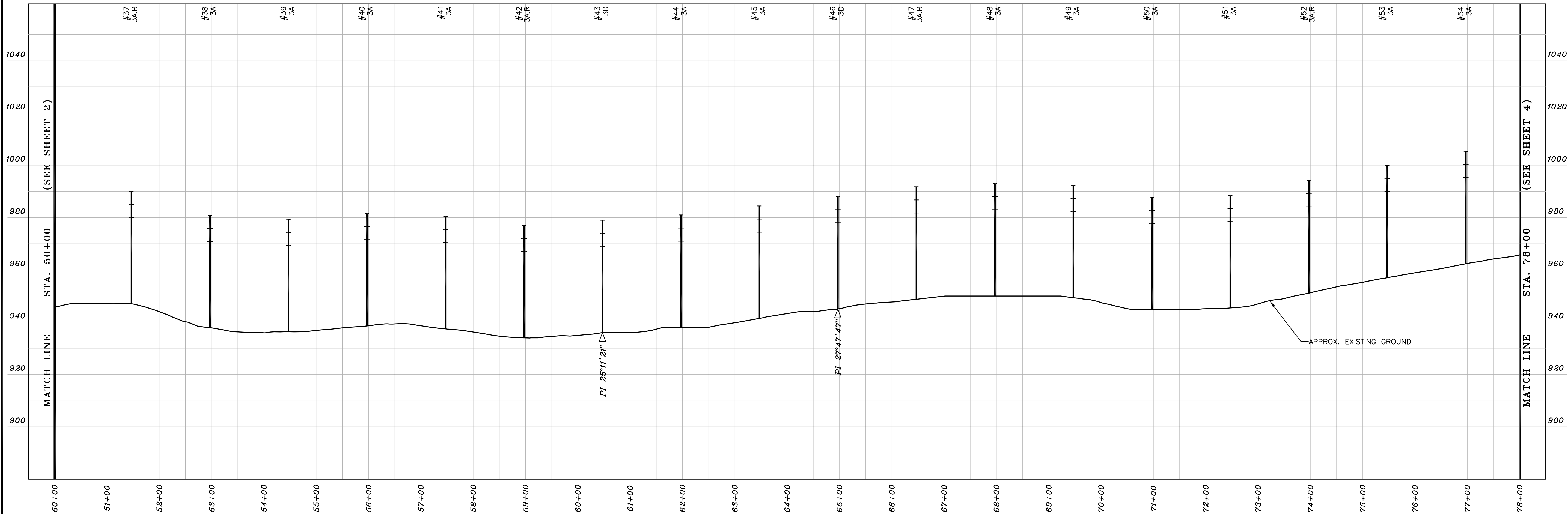
<b>SGC ENGINEERING, LLC</b> Civil Design & Survey Engineering Environmental & Regulatory Permitting Electrical Power Systems Engineering		80 Cliff Street Portland, Maine 04103 Tel: 207.633.1100 Fax: 207.633.1110	40 South Street, Suite 200 South Portland, Maine 04086 Tel: 207.633.1110 Fax: 207.633.1110
SGC Project: 572001 Title: COLLECTOR LINE PLAN & PROFILE Project: 34.5 kV COLLECTOR SYSTEM STETSON WIND PROJECT T8R3 & T8R4 NBPP, MAINE Client: EVERGREEN WIND POWER V, LLC 100 Wells Ave., Suite 201, Newton, MA 02459	Date: SEPT. 21, 2007 Drawn: JTF Design: MGL Appr: SGC	Date: 09/24/07 APD: LRB REVISIONS: PERMITTING REVIEW	NO. 0

DRAWING	SHEET
PP2	4 OF 22
DRAWING NUMBER	
572001-PP1	





PLAN

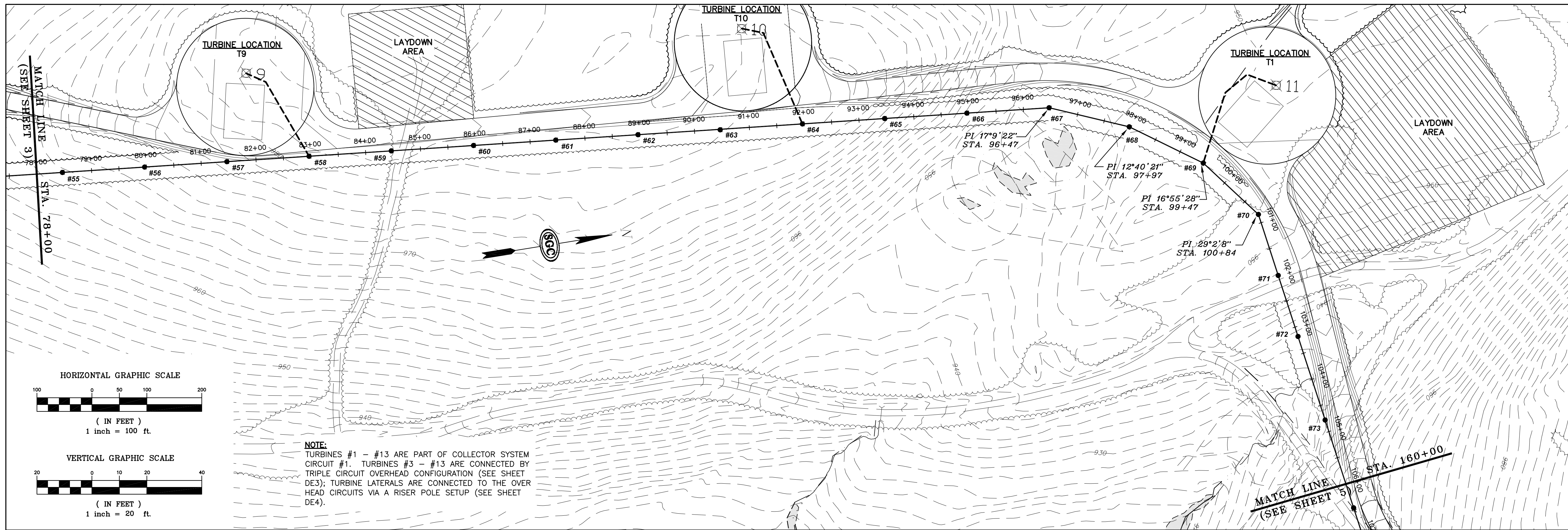


PROFILE

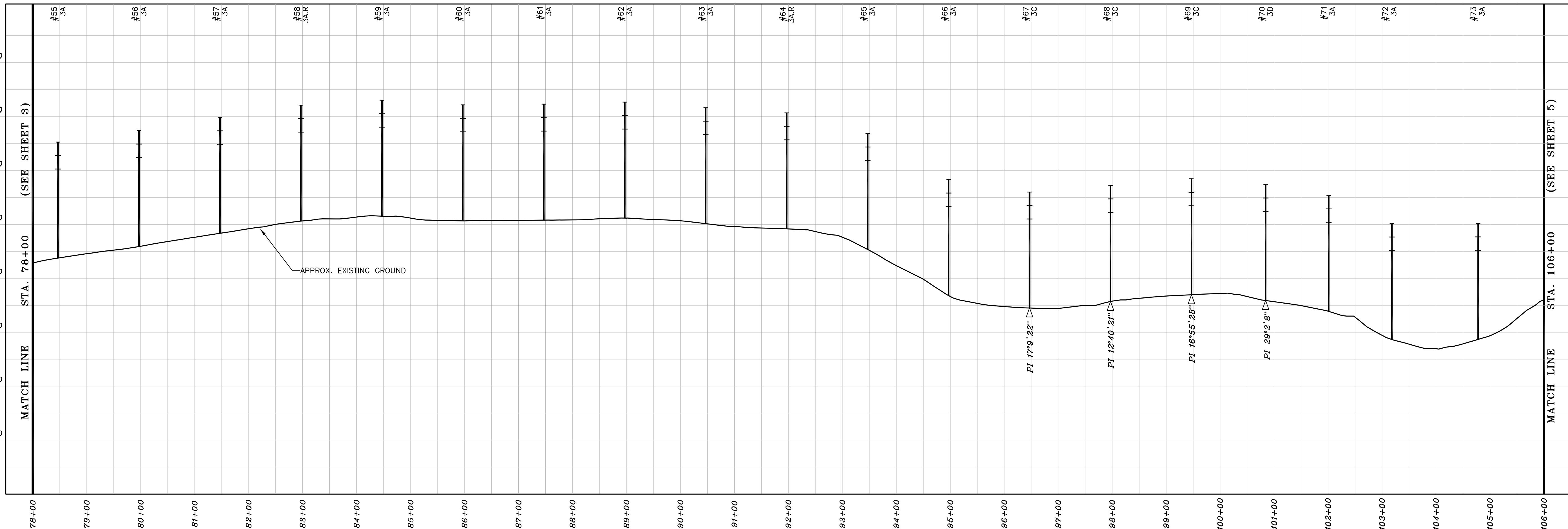
FOR PERMITTING REVIEW ONLY

APPD:	DATE:
LRB	09/24/07
REVISIONS:	PERMITTING REVIEW
NO.	0
<p><b>SGC ENGINEERING, LLC</b>        • Civil Design &amp; Survey Engineering        • Environmental &amp; Regulatory Permitting        • Electrical Power Systems Engineering</p> <p>801 Centre Road        South Portland, Maine 04086        Tel: 207.884.9200        Fax: 207.884.9201</p> <p>SERVING OUR CLIENTS IN THE U.S.A. &amp; CANADA        Turpin Technology Center        60 South Street, Suite 200        South Portland, Maine 04086        Tel: 800.541.1710        Fax: 800.541.1718</p>	
SGC Project:	572001
Date:	SEPT. 21, 2007
Drawn/Design:	MGL/JTF
Appr:	SGC
Filename:	
<p><b>COLLECTOR LINE PLAN &amp; PROFILE</b>        Project: <b>34.5 kV COLLECTOR SYSTEM STETSON WIND PROJECT</b>        T8R3 &amp; T8R4 NBPP, MAINE        Client: <b>EVERGREEN WIND POWER V, LLC</b>        100 Wells Ave., Suite 201, Newton, MA 02459</p>	
DRAWING	SHEET
PP3	5 OF 22
DRAWING NUMBER	
572001-PP1	





PLAN



PROFILE

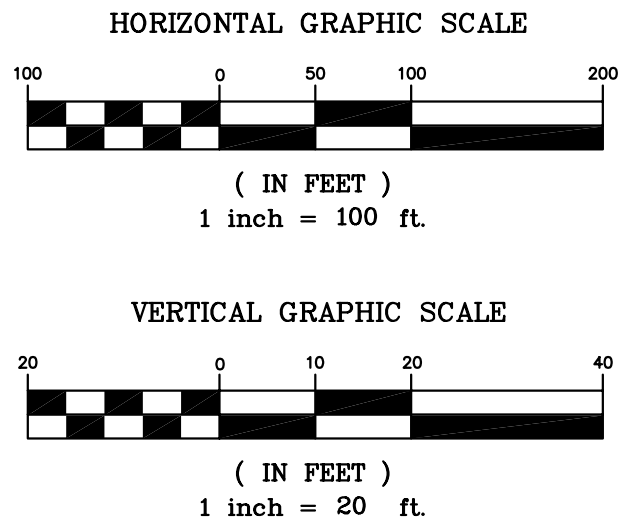
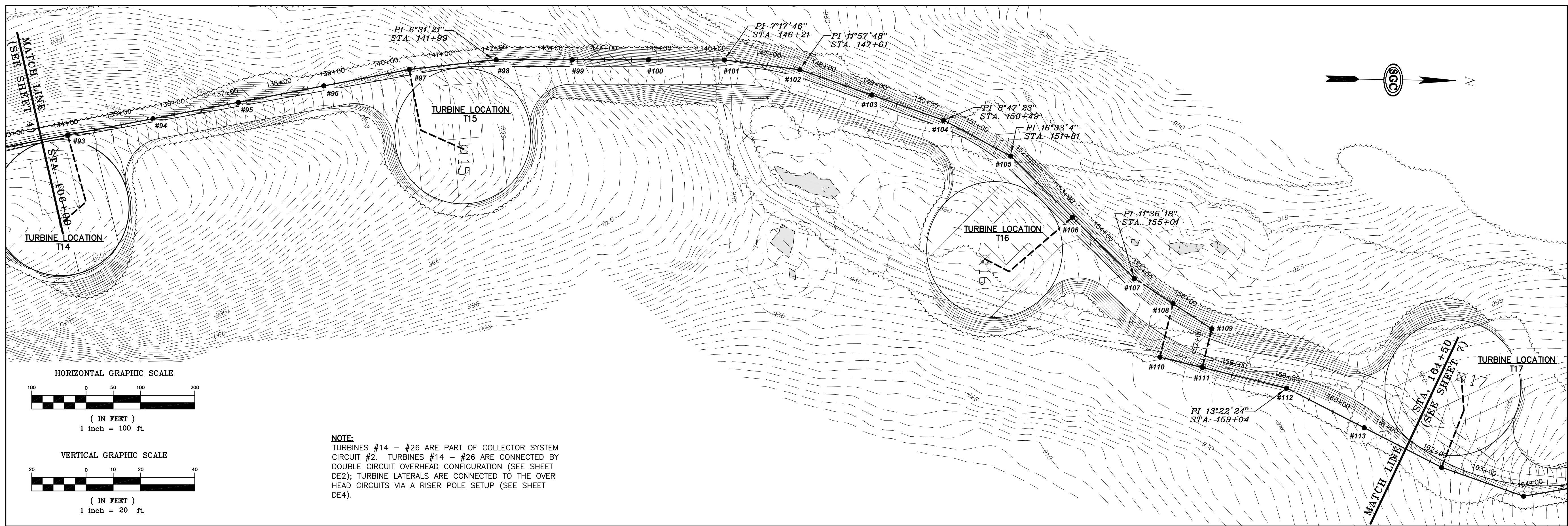
FOR PERMITTING REVIEW ONLY

<b>SGC ENGINEERING, LLC</b> • Civil Design & Survey Engineering • Environmental & Regulatory Permitting • Electrical Power Systems Engineering		Date: <b>SEPT. 21, 2007</b> File: <b>Filename</b> Drawn: <b>MGL</b> Design: <b>JTF</b> Appr: <b>SGC</b>
<b>SGC</b> SERVING OUR CLIENTS IN THE U.S.A. & CANADA 801 Centre Road Westborough, MA 01581 Tel: 508.735.1000 Fax: 508.735.1001 Tel: 416.291.8500		SGC Project: <b>572001</b> Title: <b>COLLECTOR LINE PLAN &amp; PROFILE</b> Project: <b>34.5 kV COLLECTOR SYSTEM</b> <b>STETSON WIND PROJECT</b> <b>T8R3 &amp; T8R4 NBPP, MAINE</b> Client: <b>EVERGREEN WIND POWER V, LLC</b> 100 Wells Ave., Suite 201, Newton, MA 02459
REVISIONS: PERMITTING REVIEW	APPD: <b>LRB</b> DATE: <b>09/24/07</b>	NO. <b>0</b>
<b>DRAWING NUMBER</b> <b>572001-PP1</b>		
<b>DRAWING SHEET</b> <b>PP4 6 OF 22</b>		

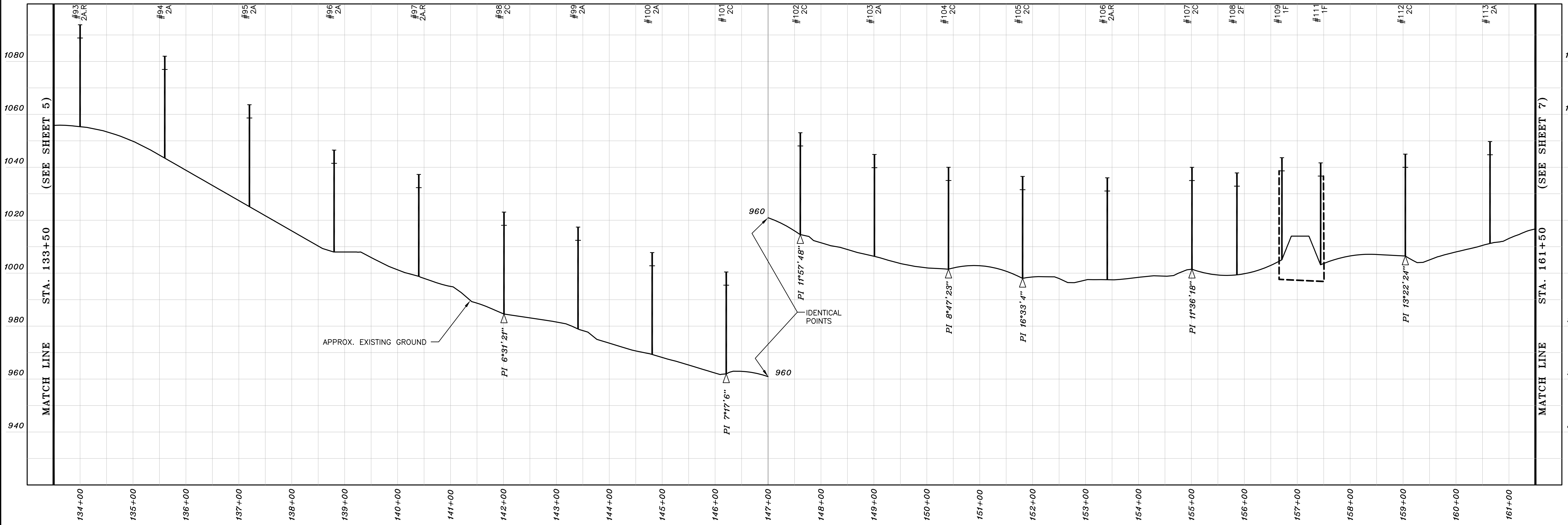








PLAN

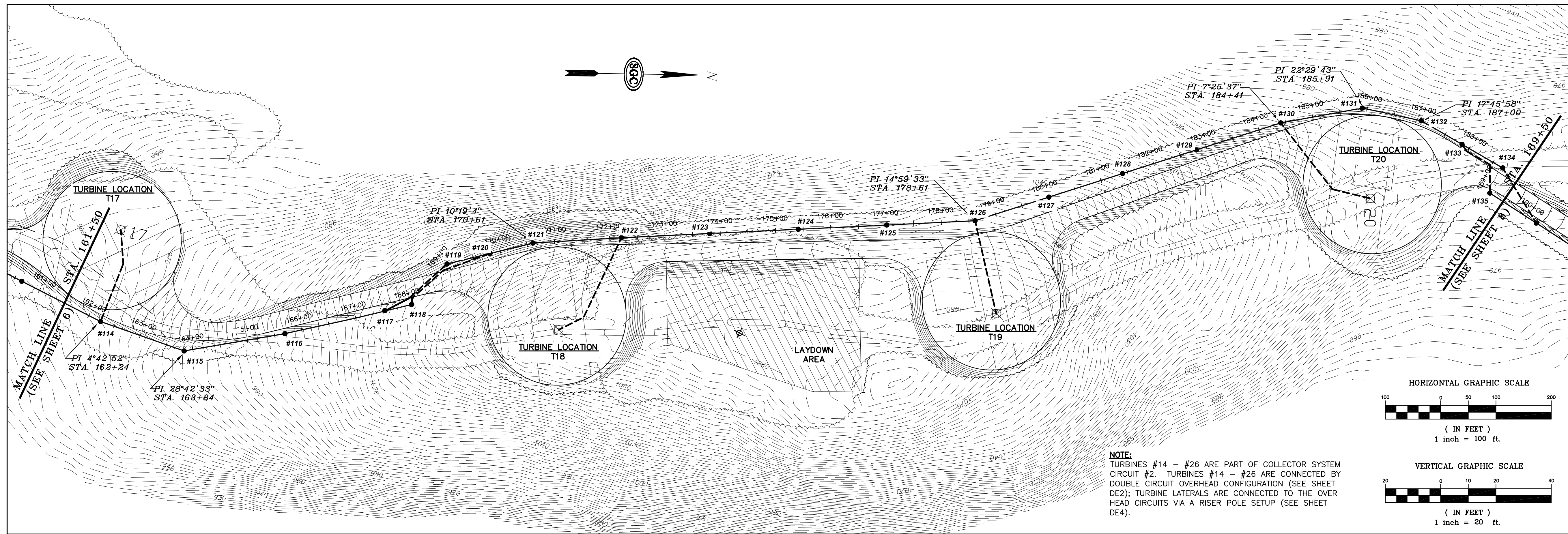


PROFILE

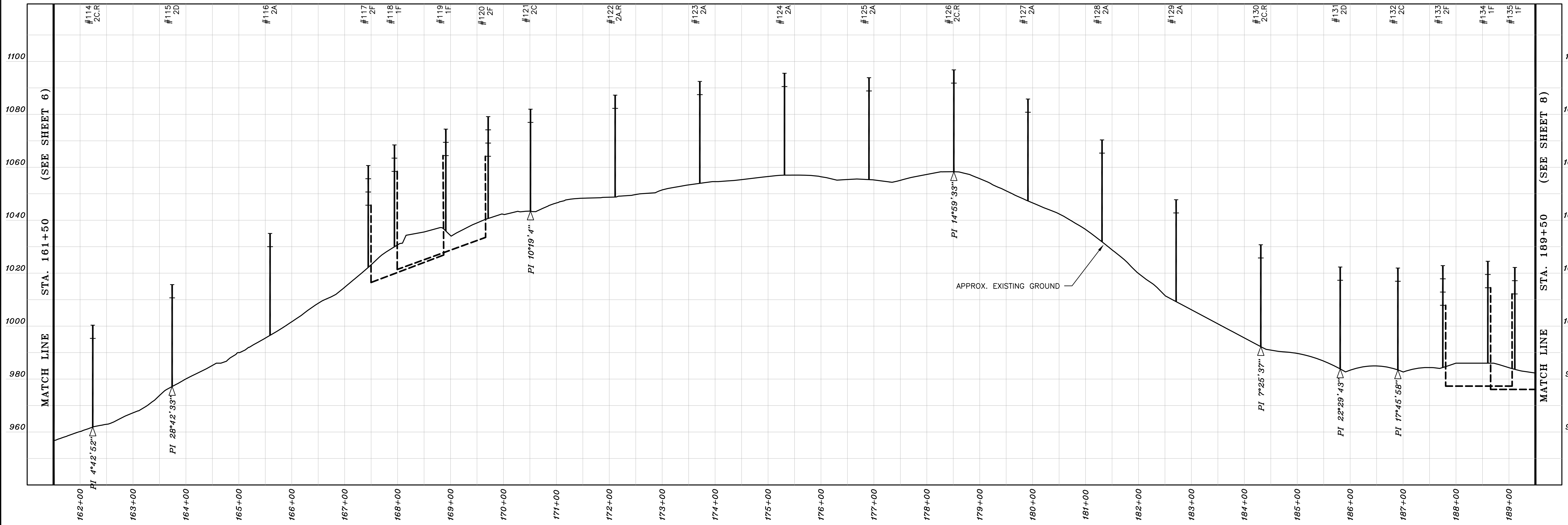
FOR PERMITTING REVIEW ONLY

NO.	0	REVISIONS:	PERMITTING REVIEW	APPD:	LFB	DATE:	09/24/07	
<p><b>SGC ENGINEERING, LLC</b>          • Civil Design &amp; Survey Engineering          • Environmental &amp; Regulatory Permitting          • Electrical Power Systems Engineering</p> <p>801 Centre Street          Portland, Maine 04102          Tel: 207.633.1100          Fax: 207.633.1101</p> <p>100 Wells Ave., Suite 201          Newton, MA 02459          Tel: 617.552.8200          Fax: 617.552.8201</p>								
SGC Project:	572001	Date:	SEPT. 21, 2007	File:	Filename	Drawn/Design:	MGL/JTF	
<p><b>COLLECTOR LINE PLAN &amp; PROFILE</b>          Project: <b>34.5 kV COLLECTOR SYSTEM STETSON WIND PROJECT</b>          T8R3 &amp; T8R4 NBPP, MAINE          Client: <b>EVERGREEN WIND POWER V, LLC</b>          100 Wells Ave., Suite 201, Newton, MA 02459</p>								
DRAWING	PP6	SHEET	8 OF 22	DRAWING NUMBER				572001-PP1





PLAN

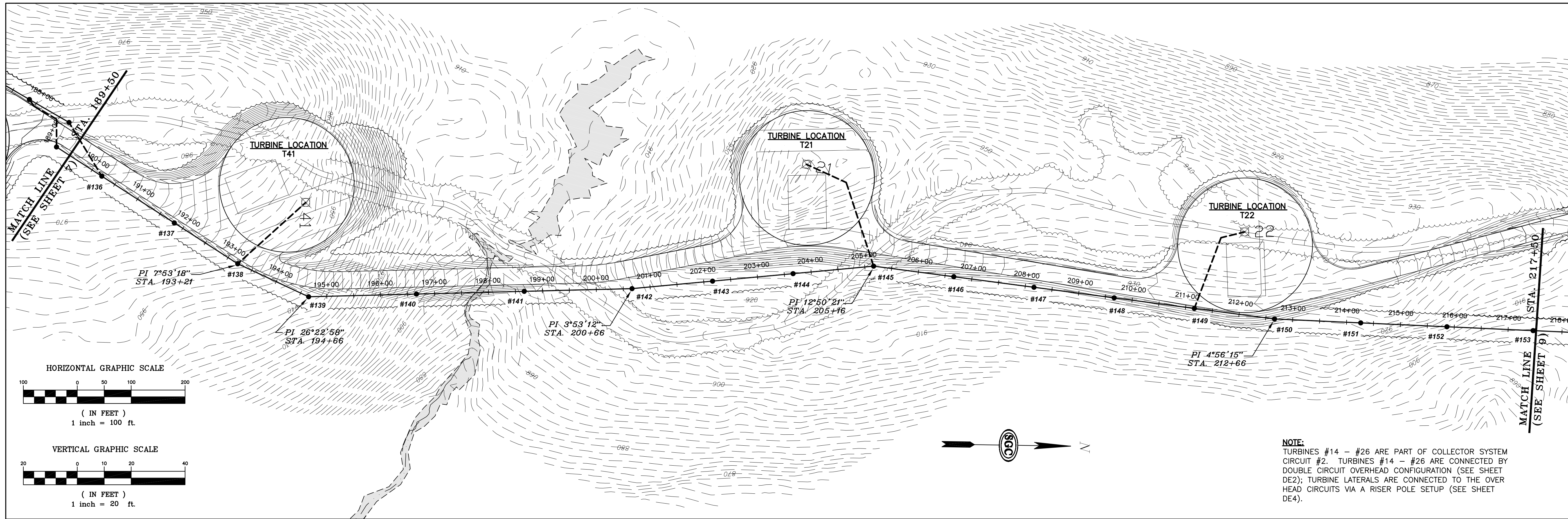


PROFILE

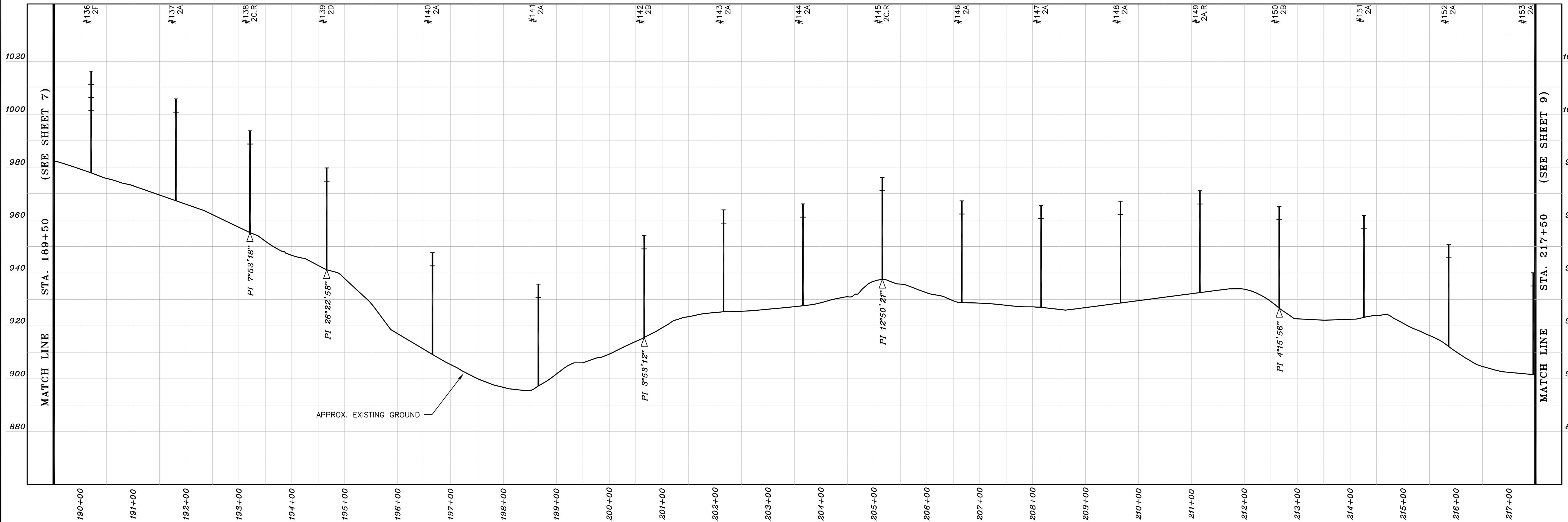
FOR PERMITTING REVIEW ONLY

NO.	0	REVISIONS:	PERMITTING REVIEW	APPD:	LFB	DATE:	09/24/07
<p>SGC PROJECT: 572001</p>							
<p>SGC ENGINEERING, LLC</p> <p>• Civil Design &amp; Survey Engineering</p> <p>• Environmental &amp; Regulatory Permitting</p> <p>• Electrical Power Systems Engineering</p> <p>801 South Street, Suite 200 Westport, Maine 04493 Tel: 207.646.2500 Fax: 207.646.2501</p> <p>SERVING OUR CLIENTS IN THE U.S.A. &amp; CANADA</p> <p>100 Wells Ave., Suite 201 Newton, MA 02459 Tel: 617.552.1100 Fax: 617.552.1101</p>							
<p>COLLECTOR LINE PLAN &amp; PROFILE</p> <p>Project: 34.5 kV COLLECTOR SYSTEM STETSON WIND PROJECT T8R3 &amp; T8R4 NBPP, MAINE</p> <p>Client: EVERGREEN WIND POWER V, LLC 100 Wells Ave., Suite 201, Newton, MA 02459</p>							
DRAWING				SHEET			
PP7				9 OF 22			
DRAWING NUMBER							
572001-PP1							





PLAN



PROFILE

FOR PERMITTING REVIEW ONLY

NO.	REVISIONS:	APPD:	DATE:
0	PERMITTING REVIEW	LRB	09/24/07

Drawn:	JTF
Design:	MGL
Appr:	SGC

**SGC ENGINEERING, LLC**

- Civil Design & Survey Engineering
- Environmental & Regulatory Permitting
- Electrical Power Systems Engineering

801 Centre Road  
 2000 North Main Street  
 South Portland, ME 04106  
 Tel: 207-886-9500  
 Fax: 207-886-9501

SERVING OUR CLIENTS IN THE U.S.A. & CANADA

100 Wells Ave., Suite 201  
 Newton, MA 02459  
 Tel: 617-552-1100  
 Fax: 617-552-1101

File: SEP. 21, 2007  
 Filename: MGL

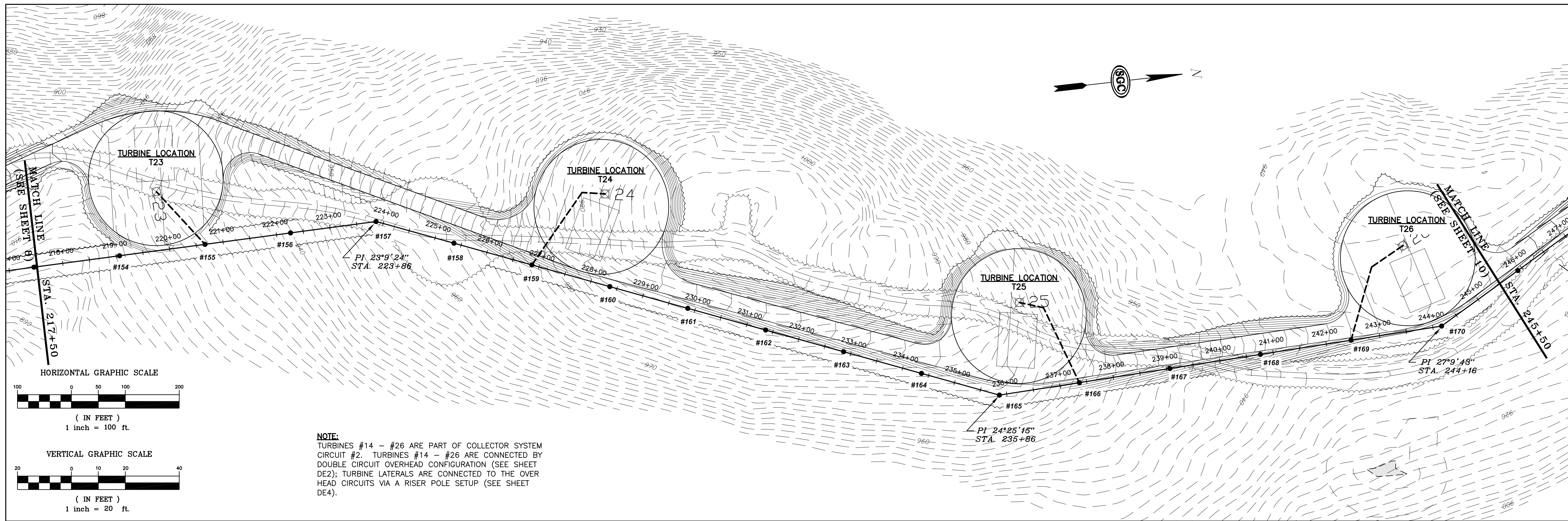
**COLLECTOR LINE PLAN & PROFILE**

Project: **34.5 kV COLLECTOR SYSTEM STETSON WIND PROJECT**  
 T8R3 & T8R4 NBPP, MAINE

Client: **EVERGREEN WIND POWER V, LLC**  
 100 Wells Ave., Suite 201, Newton, MA 02459

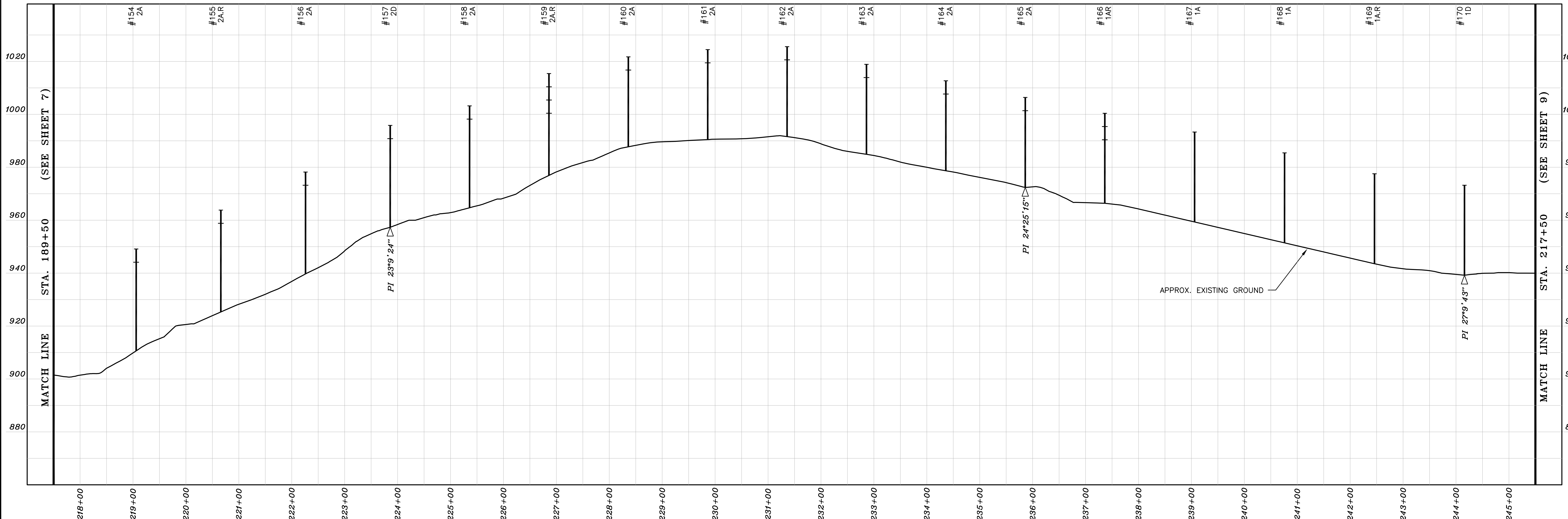
DRAWING	SHEET
PP8	10 OF 22
DRAWING NUMBER	
572001-PP1	





**NOTE:**  
 TURBINES #14 - #26 ARE PART OF COLLECTOR SYSTEM CIRCUIT #2. TURBINES #14 - #26 ARE CONNECTED BY DOUBLE CIRCUIT OVERHEAD CONFIGURATION (SEE SHEET DE2); TURBINE LATERALS ARE CONNECTED TO THE OVERHEAD CIRCUITS VIA A RISER POLE SETUP (SEE SHEET DE4).

PLAN

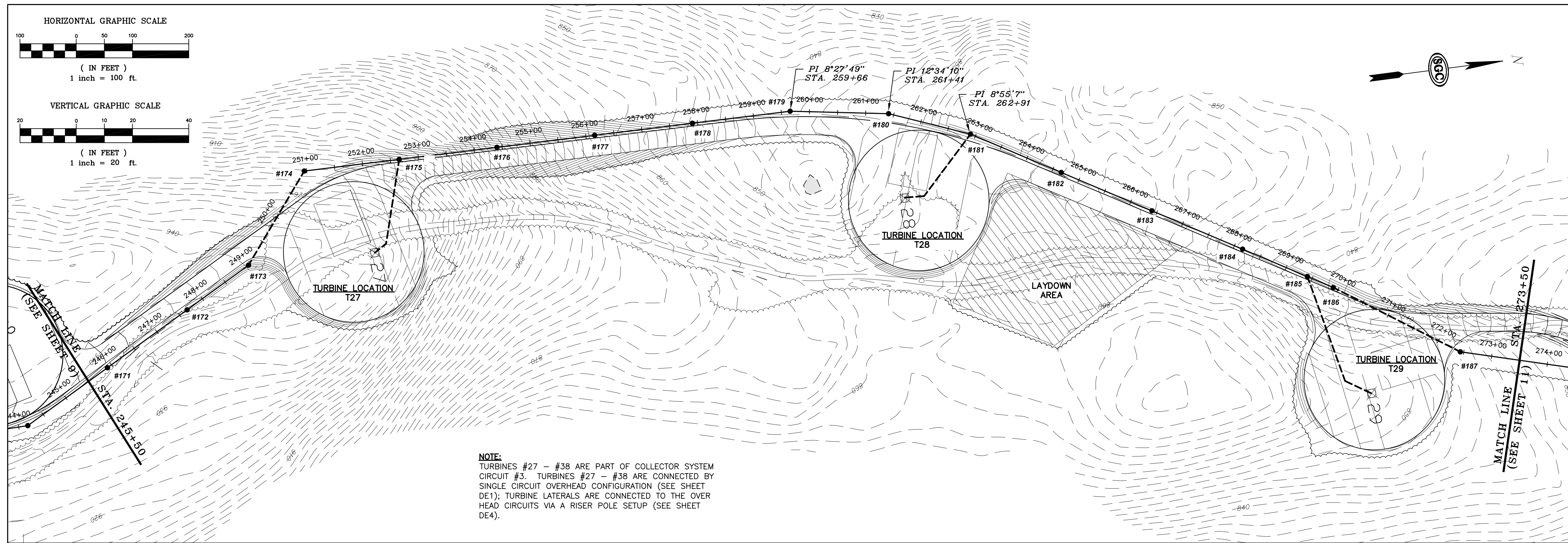


PROFILE

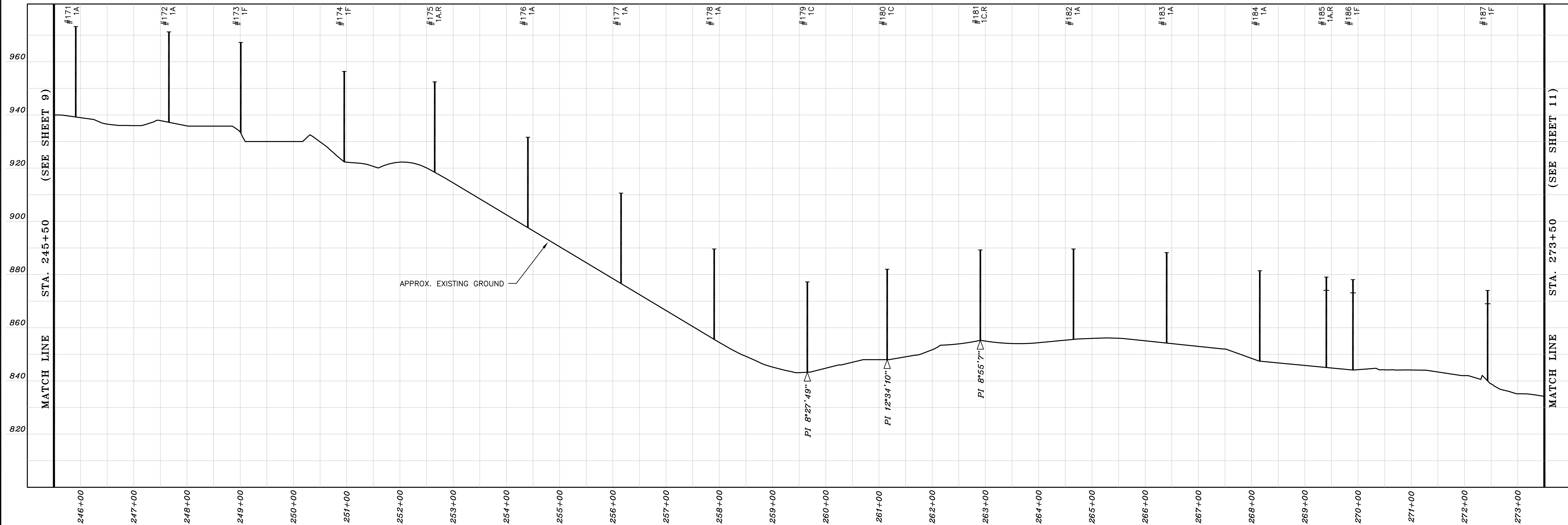
FOR PERMITTING REVIEW ONLY

NO.	0	REVISIONS:	PERMITTING REVIEW
APPD:	LFB	DATE:	09/24/07
SERVING OUR CLIENTS IN THE U.S.A. & CANADA 801 South Main Street, Suite 200 Westport, Maine 04491 Fax: 207-646-0100 Fax: 207-646-0201			
SGC PROJECT: 572001		DATE: SEPT. 21, 2007	
FILE:		DRAWING:	
Filename		MGL JTF SGC	
CLIENT: EVERGREEN WIND POWER V, LLC 100 Wells Ave., Suite 201, Newton, MA 02459			
PROJECT: 34.5 kV COLLECTOR SYSTEM STETSON WIND PROJECT T8R3 & T8R4 NBPP, MAINE			
DRAWING: PP9		SHEET: 11 OF 22	
DRAWING NUMBER: 572001-PP1			





PLAN

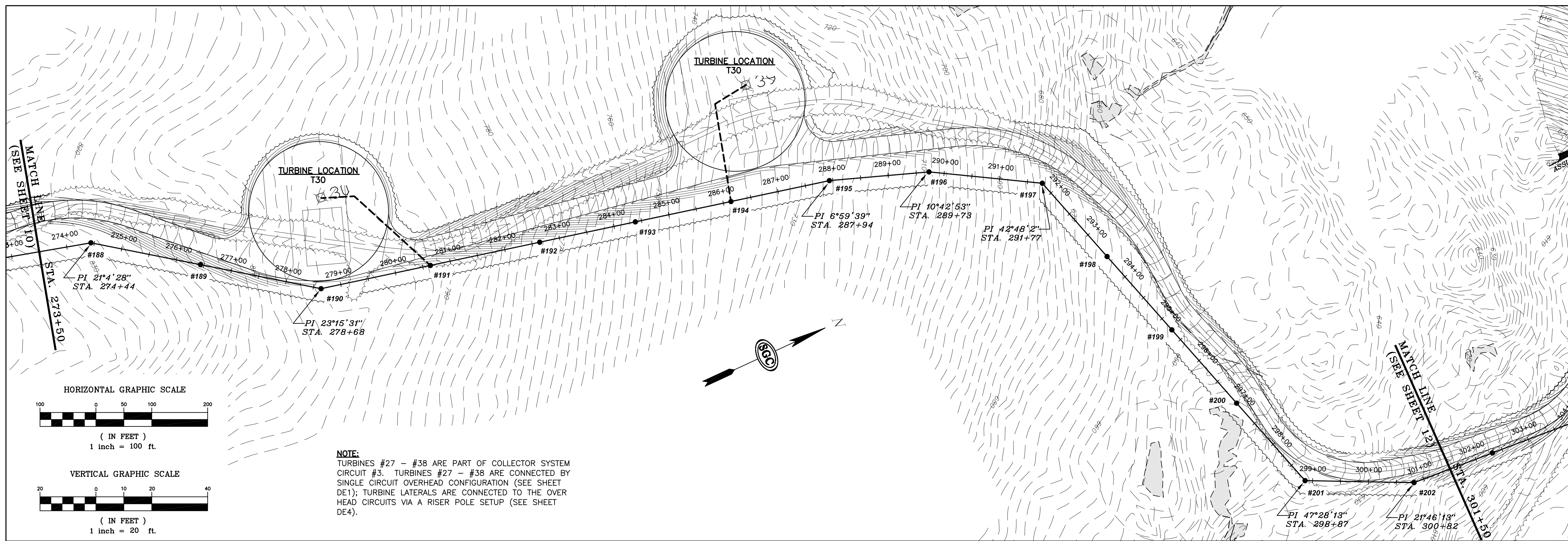


PROFILE

FOR PERMITTING REVIEW ONLY

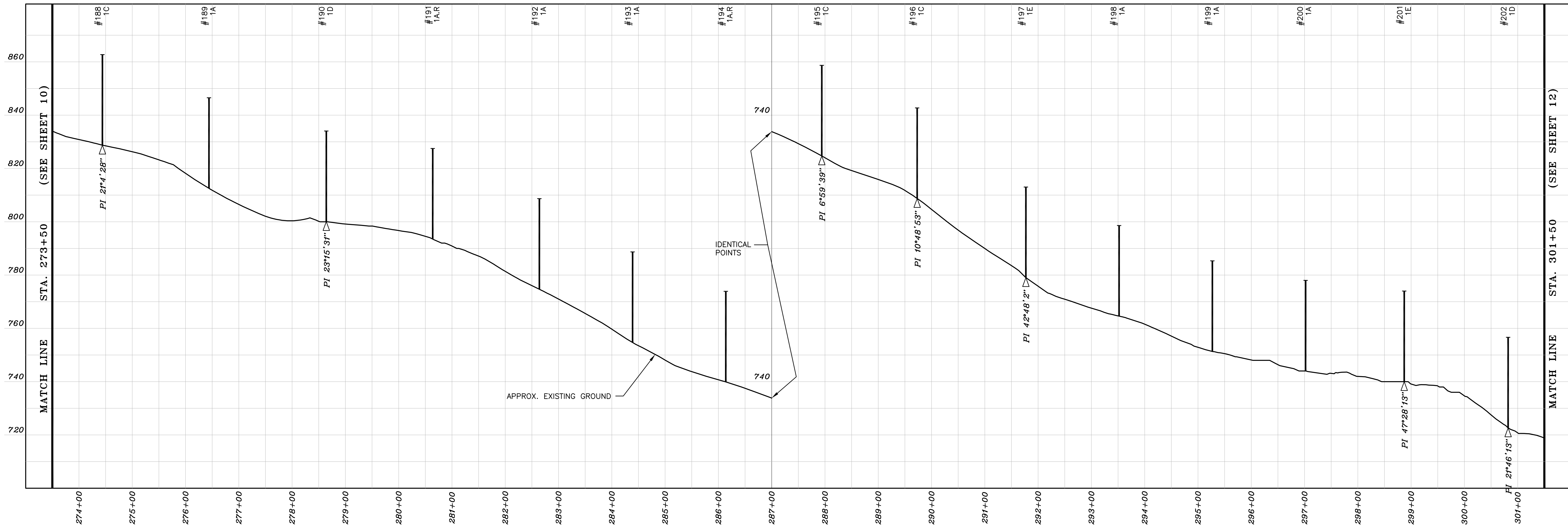
NO.	0	REVISIONS:	PERMITTING REVIEW	APPD:	LFB	DATE:	09/24/07
<p><b>SGC ENGINEERING, LLC</b>        • Civil Design &amp; Survey Engineering        • Environmental &amp; Regulatory Permitting        • Electrical Power Systems Engineering</p> <p>801 Centre Street        Westport, Maine 04491        Tel: 207-646-2501        Fax: 207-646-2501</p>		<p>SGC Project: 572001</p>		<p>File: MGL</p>		<p>Appr: JTF</p>	
<p><b>COLLECTOR LINE PLAN &amp; PROFILE</b></p>		<p><b>34.5 kV COLLECTOR SYSTEM</b></p>		<p><b>STETSON WIND PROJECT</b></p>		<p><b>EVERGREEN WIND POWER V, LLC</b></p>	
<p>PP10</p>		<p>12 OF 22</p>		<p>572001-PP1</p>		<p>100 Wells Ave., Suite 201, Newton, MA 02459</p>	





**NOTE:**  
 TURBINES #27 - #38 ARE PART OF COLLECTOR SYSTEM CIRCUIT #3. TURBINES #27 - #38 ARE CONNECTED BY SINGLE CIRCUIT OVERHEAD CONFIGURATION (SEE SHEET DE1); TURBINE LATERALS ARE CONNECTED TO THE OVER HEAD CIRCUITS VIA A RISER POLE SETUP (SEE SHEET DE4).

**PLAN**

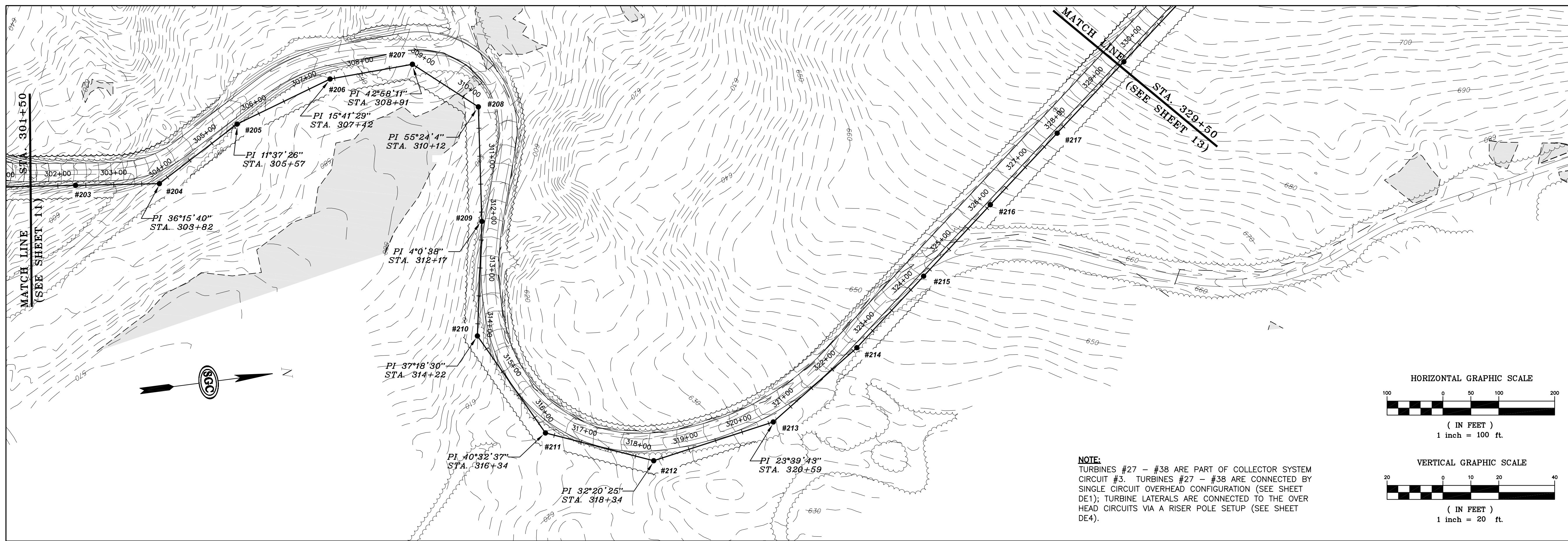


**PROFILE**

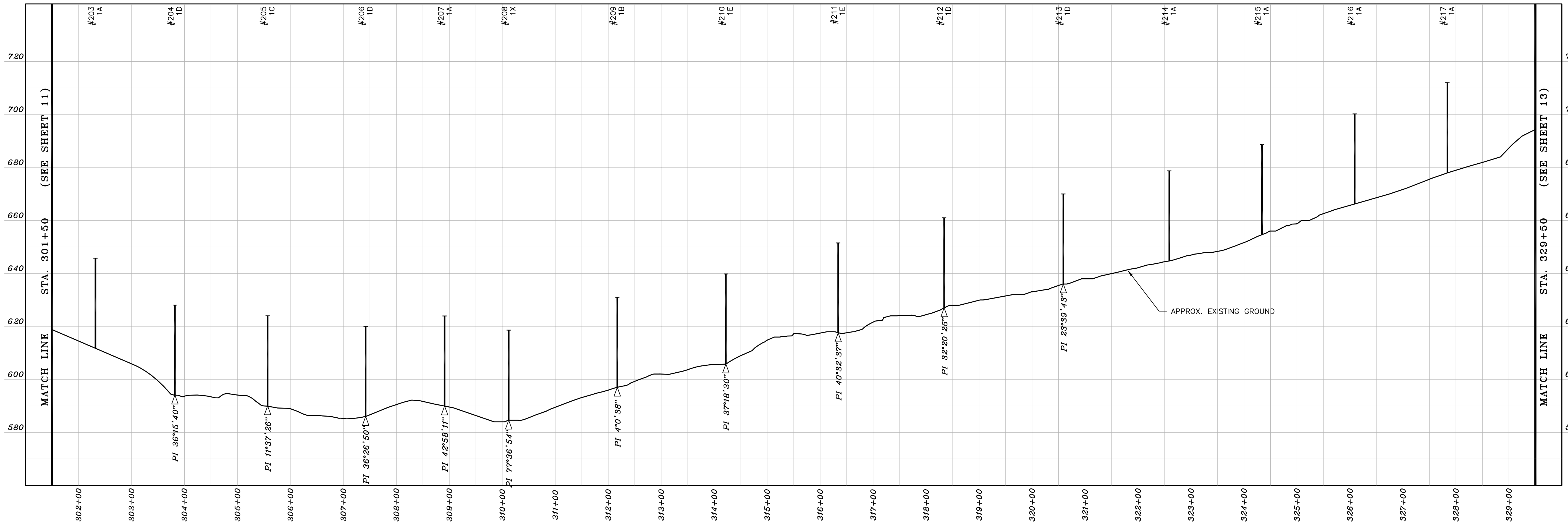
**FOR PERMITTING REVIEW ONLY**

<b>SGC ENGINEERING, LLC</b> • Civil Design & Survey Engineering • Environmental & Regulatory Permitting • Electrical Power Systems Engineering	Date: <b>SEPT. 21, 2007</b> File: <b>Filename</b> Drawn: <b>JTF</b> Appr: <b>SGC</b>								
	Project: <b>34.5 kV COLLECTOR SYSTEM STETSON WIND PROJECT T8R3 &amp; T8R4 NBPP, MAINE</b> Client: <b>EVERGREEN WIND POWER V, LLC</b> 100 Wells Ave., Suite 201, Newton, MA 02459								
Title: <b>COLLECTOR LINE PLAN &amp; PROFILE</b> Drawing: <b>PP11</b> Sheet: <b>13 OF 22</b>	SGC Project: <b>572001</b> Date: <b>SEPT. 21, 2007</b> File: <b>Filename</b> Drawn: <b>JTF</b> Appr: <b>SGC</b>								
Drawing Number: <b>572001-PP1</b>	Revisions: <table border="1"> <tr> <th>NO.</th> <th>REVISIONS:</th> <th>APPD:</th> <th>DATE:</th> </tr> <tr> <td>0</td> <td>PERMITTING REVIEW</td> <td>LRB</td> <td>09/24/07</td> </tr> </table>	NO.	REVISIONS:	APPD:	DATE:	0	PERMITTING REVIEW	LRB	09/24/07
NO.	REVISIONS:	APPD:	DATE:						
0	PERMITTING REVIEW	LRB	09/24/07						





PLAN

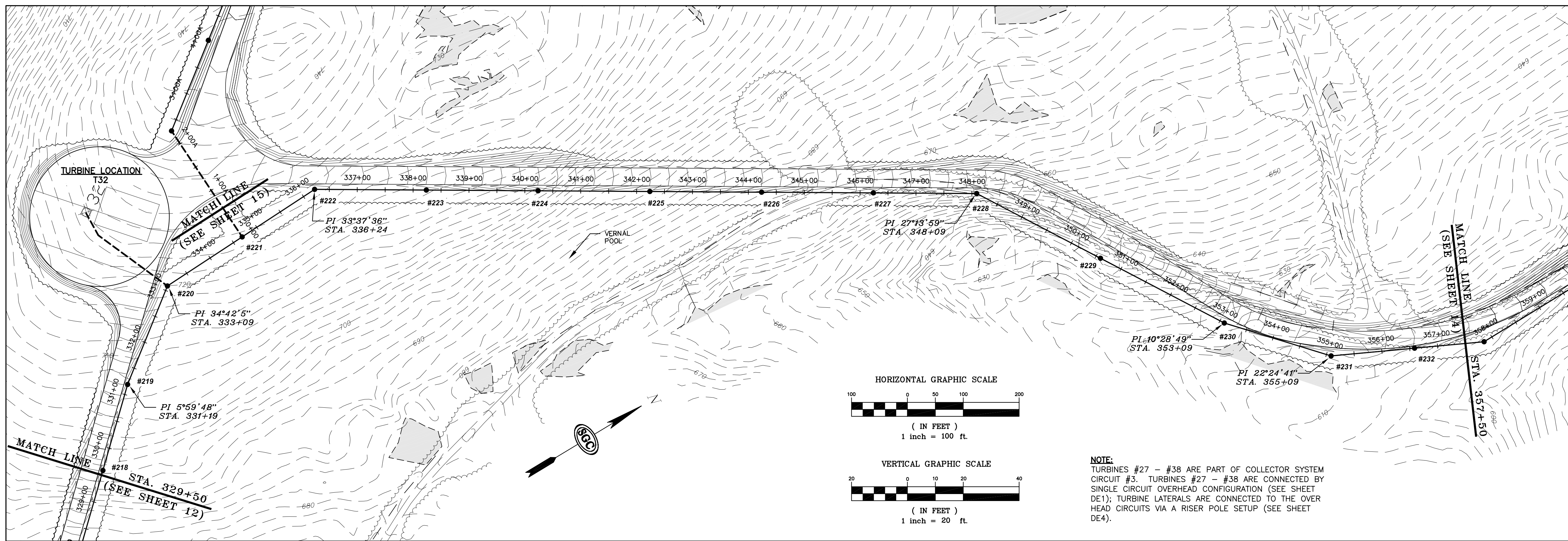


PROFILE

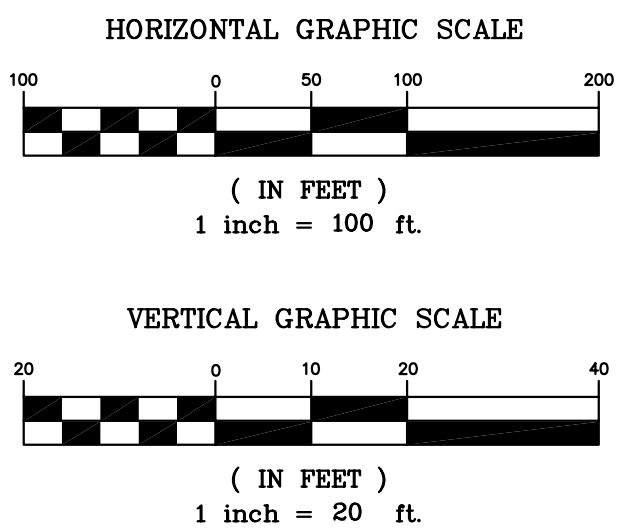
FOR PERMITTING REVIEW ONLY

<b>SGC ENGINEERING, LLC</b> Civil Design & Survey Engineering Environmental & Regulatory Permitting Electrical Power Systems Engineering		80 South Street, Suite 200 Westport, Maine 04491 Tel: 207.646.0100 Fax: 207.646.0201	80 South Street, Suite 200 South Portland, Maine 04106 Tel: 800.541.0100 Fax: 207.886.9201
SGC Project: 572001 Title: COLLECTOR LINE PLAN & PROFILE Project: 34.5 kV COLLECTOR SYSTEM STETSON WIND PROJECT T8R3 & T8R4 NBPP, MAINE Client: EVERGREEN WIND POWER V, LLC 100 Wells Ave., Suite 201, Newton, MA 02459	Date: SEPT. 21, 2007 File: Filename Drawn: MGL Design: JTF Appr: SGC	No. 0 Revisions: PERMITTING REVIEW	Appd: LFB Date: 09/24/07

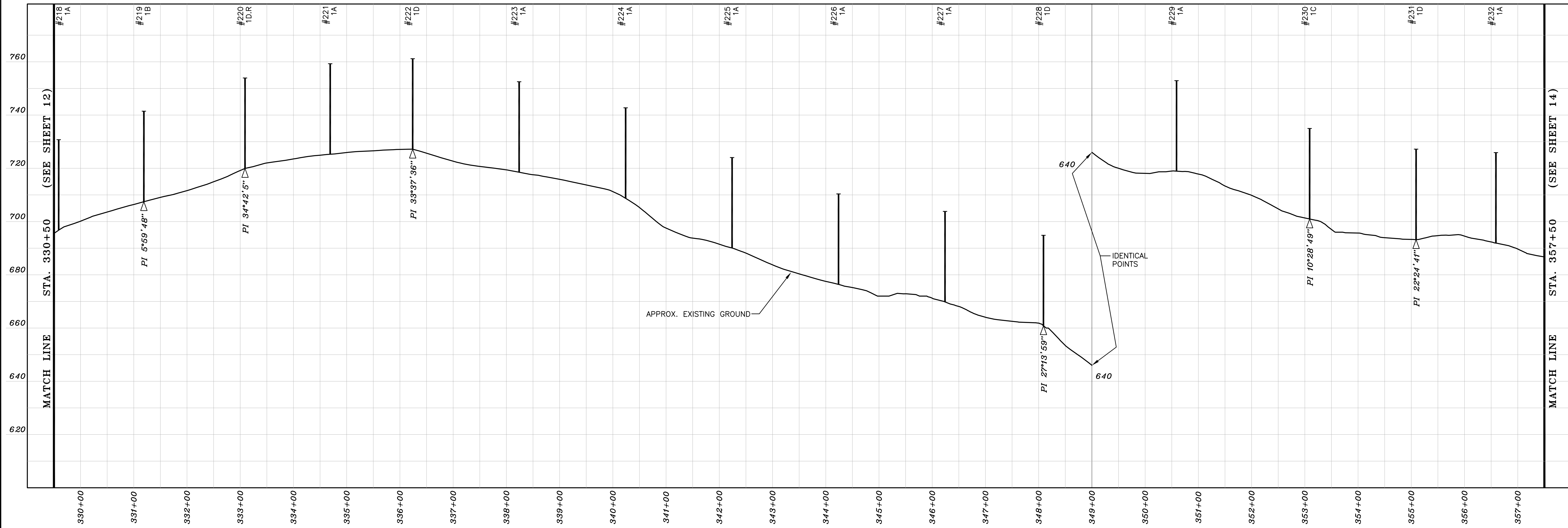




PLAN



NOTE:  
 TURBINES #27 - #38 ARE PART OF COLLECTOR SYSTEM CIRCUIT #3. TURBINES #27 - #38 ARE CONNECTED BY SINGLE CIRCUIT OVERHEAD CONFIGURATION (SEE SHEET DE1); TURBINE LATERALS ARE CONNECTED TO THE OVER HEAD CIRCUITS VIA A RISER POLE SETUP (SEE SHEET DE4).

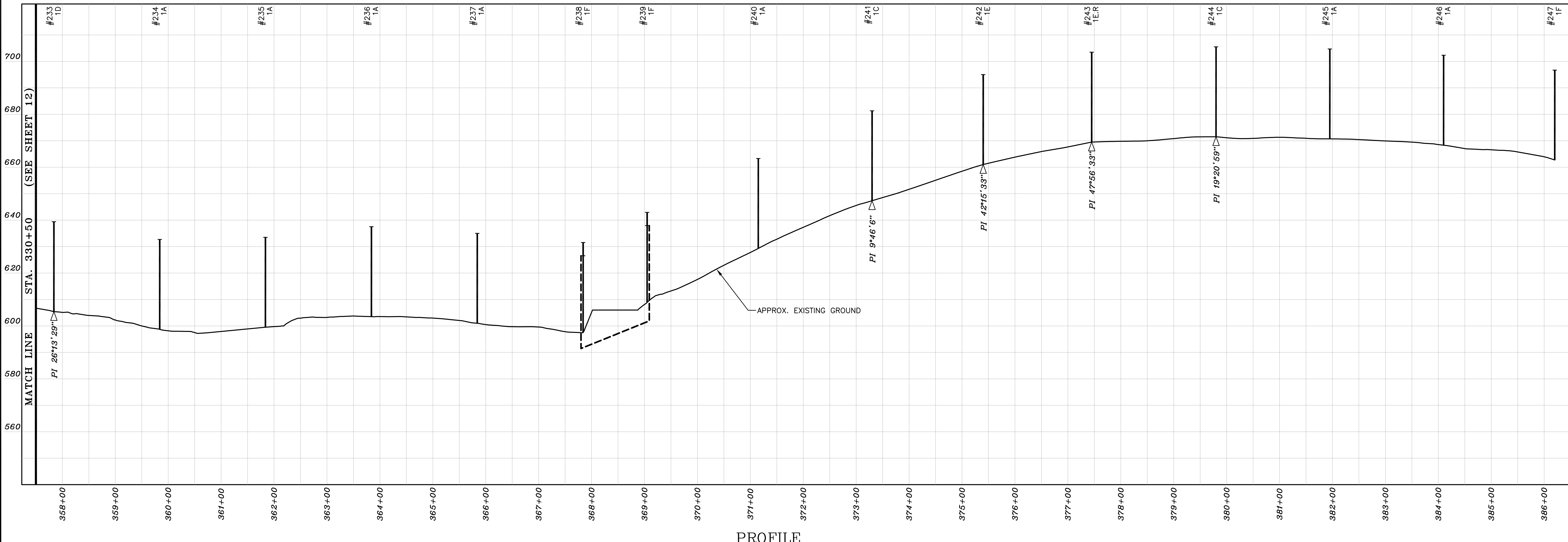
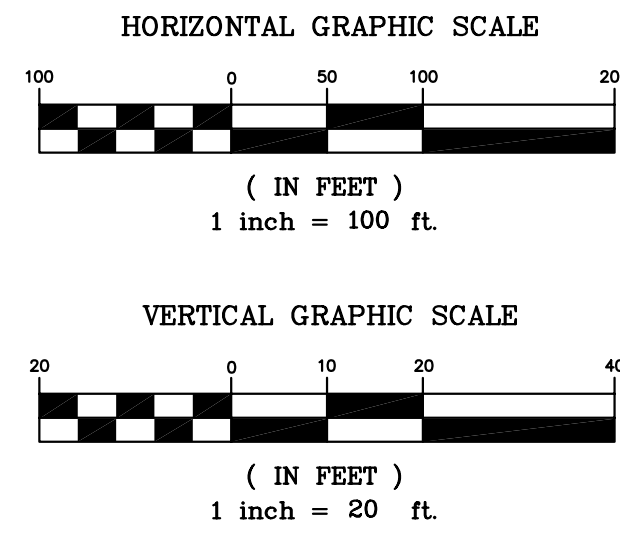
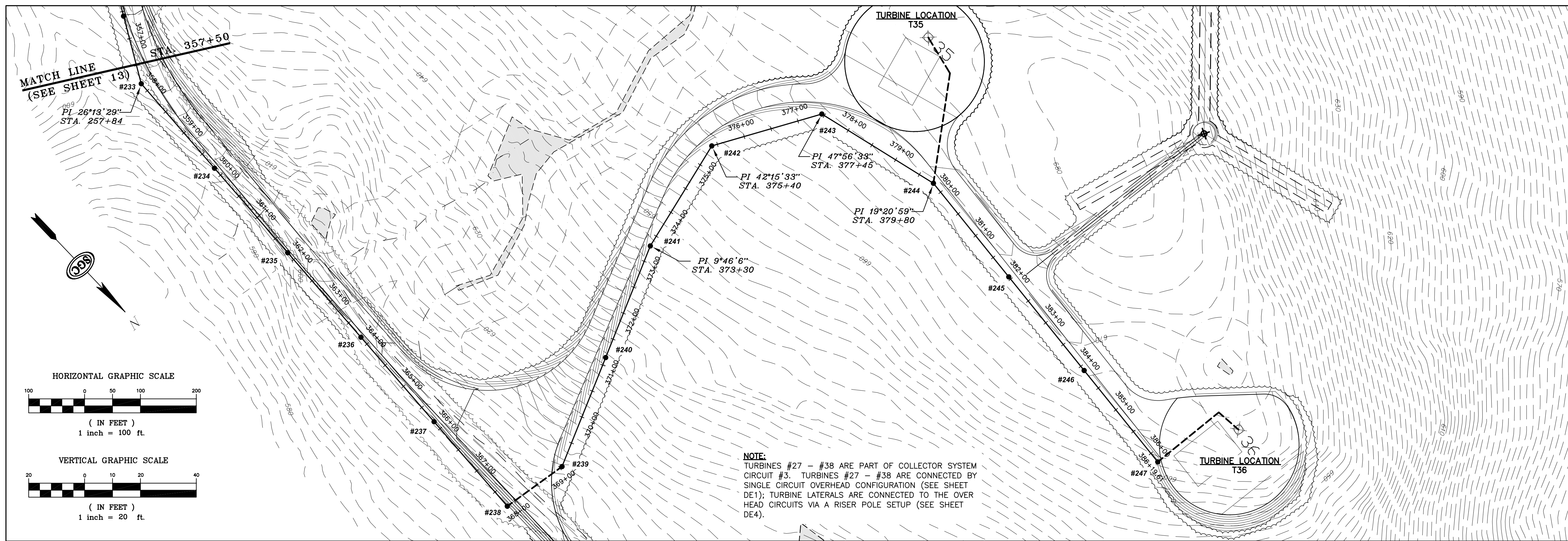


PROFILE

NO.	0	REVISIONS:	PERMITTING REVIEW	APPD:	LFB	DATE:	09/24/07
<p><b>SGC ENGINEERING, LLC</b>          • Civil Design &amp; Survey Engineering          • Environmental &amp; Regulatory Permitting          • Electrical Power Systems Engineering</p> <p>801 Centre Street          South Portland, Maine 04086          Tel: 207-886-9500          Fax: 207-886-9501</p> <p>100 Wells Ave., Suite 201, Newton, MA 02459</p>							
SGC Project:	572001	Date:	SEPT. 21, 2007	Drawn/Design:	MGL/JTF	Appr:	SGC
File:	Filename						
<p><b>COLLECTOR LINE PLAN &amp; PROFILE</b>          Project: <b>34.5 kV COLLECTOR SYSTEM STETSON WIND PROJECT</b>          T8R3 &amp; T8R4 NBPP, MAINE          Client: <b>EVERGREEN WIND POWER V, LLC</b></p>							
DRAWING	SHEET						
PP13	15 OF 22						
DRAWING NUMBER							
572001-PP1							

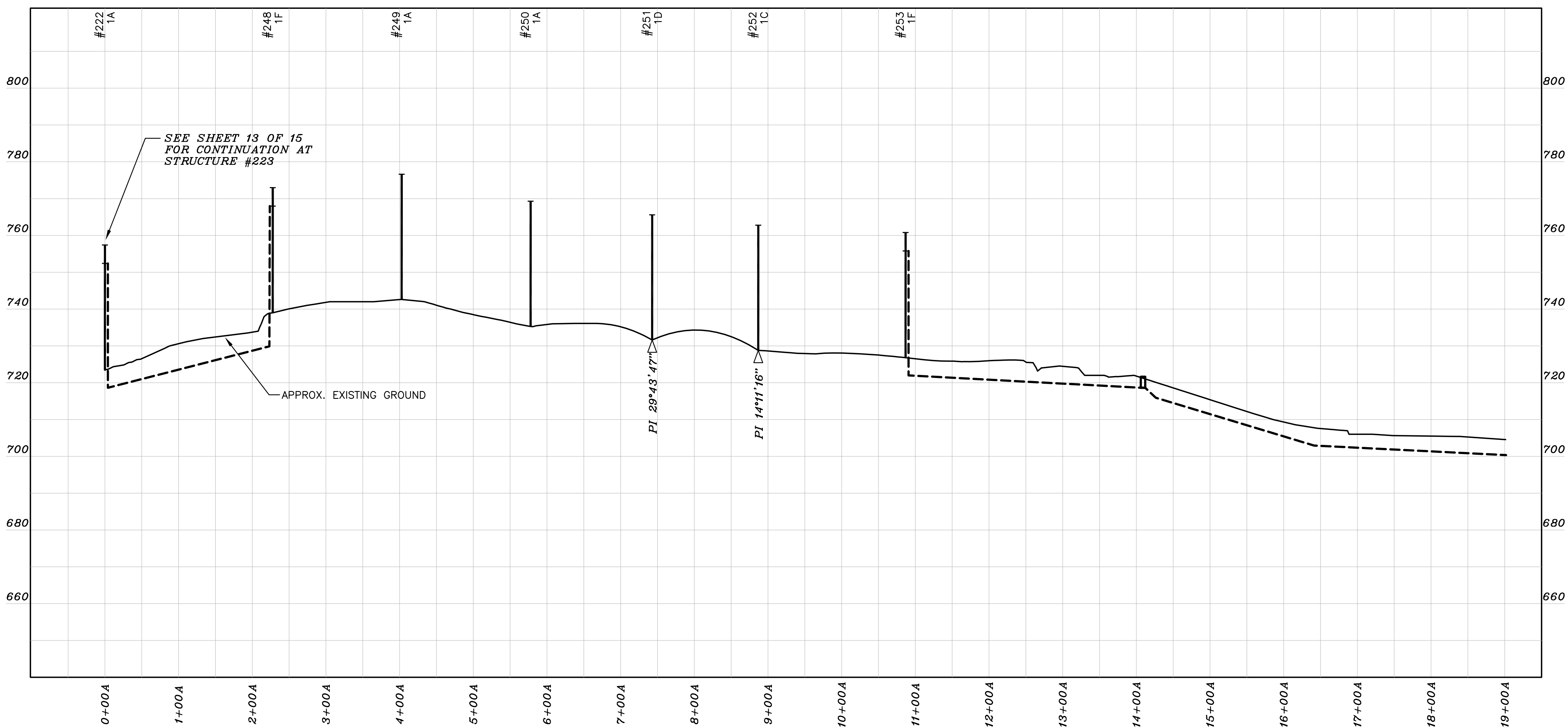
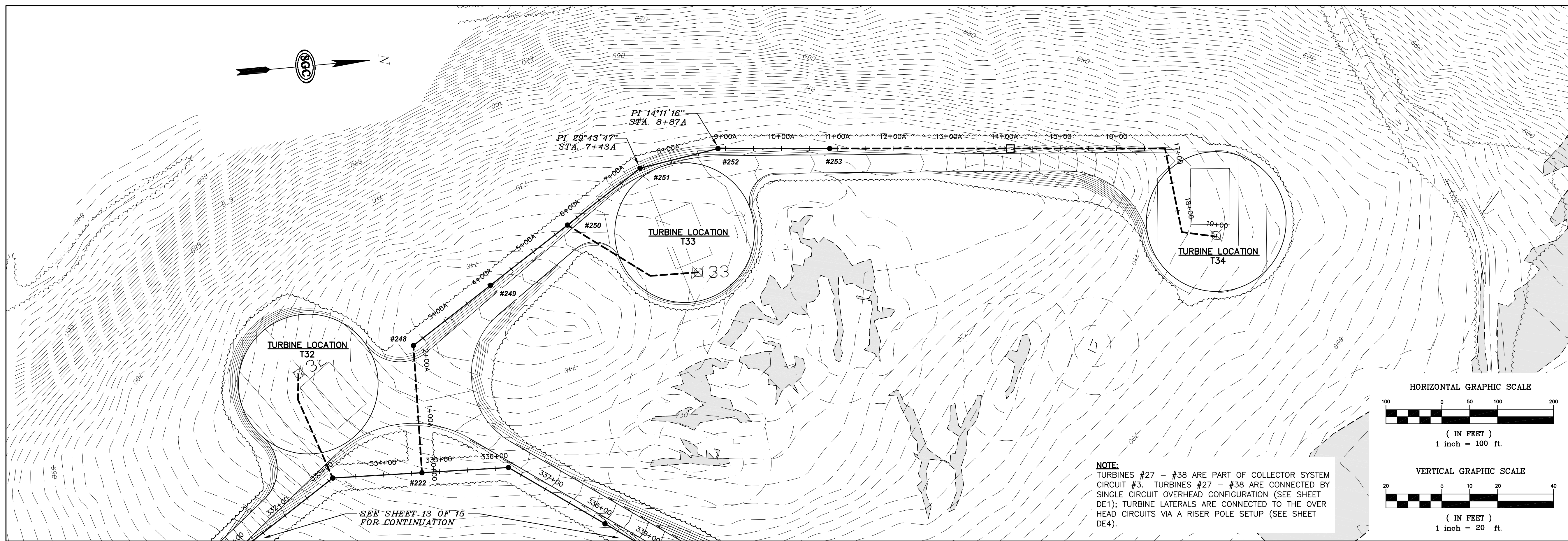
FOR PERMITTING REVIEW ONLY





<b>SGC ENGINEERING, LLC</b> Civil Design & Survey Engineering Environmental & Regulatory Permitting Electrical Power Systems Engineering		801 South Street, Suite 200 South Portland, Maine 04086 Tel: 207.884.9500 Fax: 207.884.9501	801 South Street, Suite 200 South Portland, Maine 04086 Tel: 207.884.9500 Fax: 207.884.9501
<b>SGC</b> SERVING OUR CLIENTS IN THE U.S.A. & CANADA	Date: <b>SEPT. 21, 2007</b> File: <b>Filename</b>	Drawn: <b>MGL</b> Design: <b>JTF</b> Appr: <b>SGC</b>	Title: <b>COLLECTOR LINE PLAN &amp; PROFILE</b> Project: <b>34.5 kV COLLECTOR SYSTEM STETSON WIND PROJECT T8R3 &amp; T8R4 NBPP, MAINE</b> Client: <b>EVERGREEN WIND POWER V, LLC</b> 100 Wells Ave., Suite 201, Newton, MA 02459
NO. <b>0</b>	REVISIONS: PERMITTING REVIEW	APPD: <b>LFB</b> DATE: <b>09/24/07</b>	DRAWING NUMBER <b>572001-PP1</b>
SHEET <b>16 OF 22</b>			



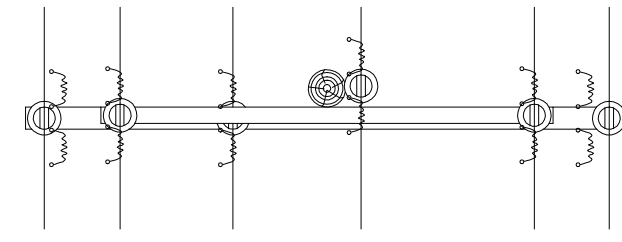
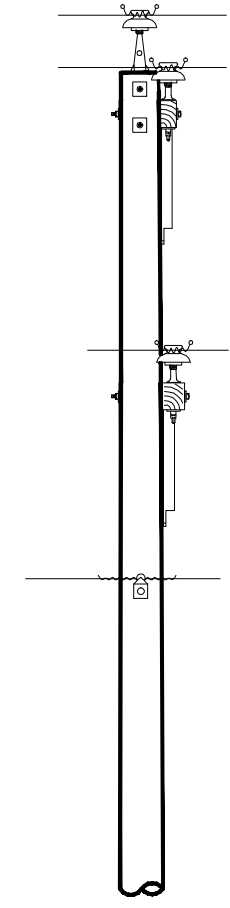


NO.	0	REVISIONS:	PERMITTING REVIEW	APPD:	LFB	DATE:	09/24/07
<b>SGC ENGINEERING, LLC</b> • Civil Design & Survey Engineering • Environmental & Regulatory Permitting • Electrical Power Systems Engineering		SERVING OUR CLIENTS IN THE U.S.A. & CANADA 801 South Main Street South Portland, Maine 04086 Tel: 207.884.9100 Fax: 207.884.9101		80 South Street, Suite 200 South Portland, Maine 04086 Tel: 800.541.9100 Fax: 207.884.9101		Drawn: MGL Design: JTF Appr: SGC	Date: SEPT. 21, 2007 File: 572001
<b>COLLECTOR LINE PLAN &amp; PROFILE</b>		<b>34.5 kV COLLECTOR SYSTEM</b> <b>STETSON WIND PROJECT</b> T8R3 & T8R4 NBPP, MAINE		<b>EVERGREEN WIND POWER V, LLC</b> 100 Wells Ave., Suite 201, Newton, MA 02459		<b>DRAWING SHEET</b> PP15 17 OF 22	
<b>DRAWING NUMBER</b> 572001-PP1							

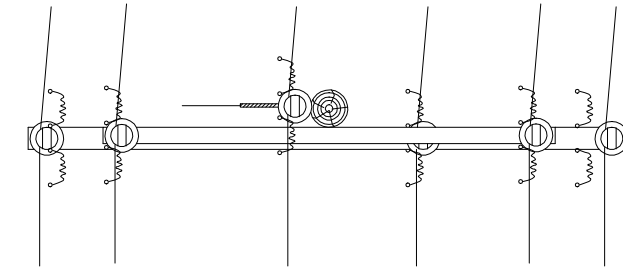
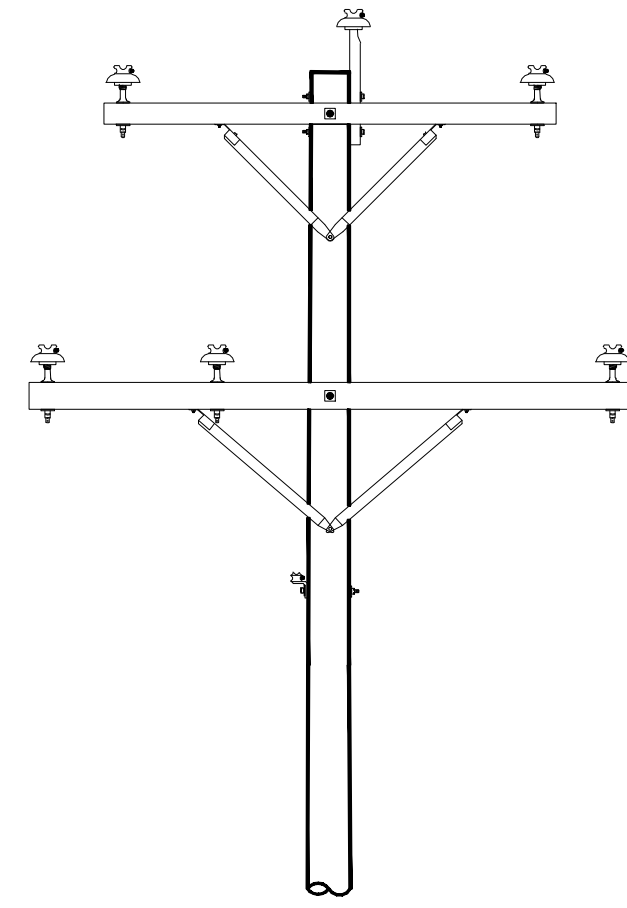




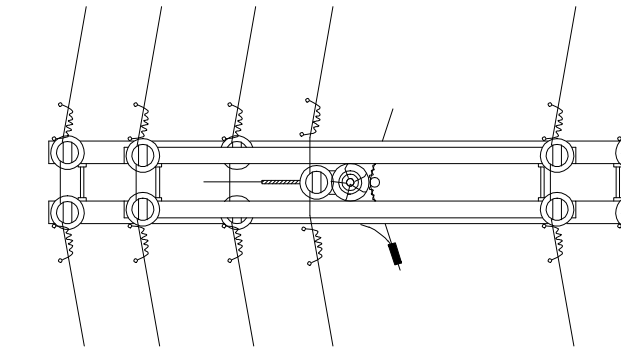
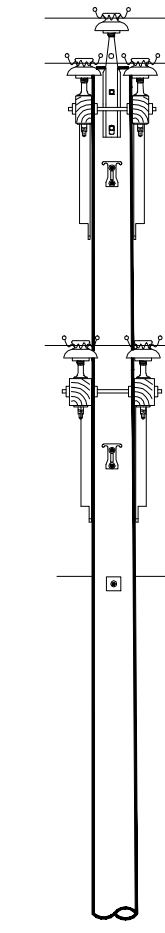




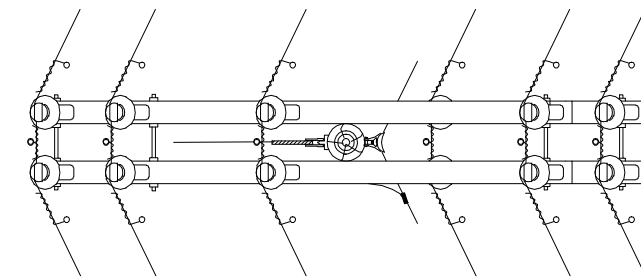
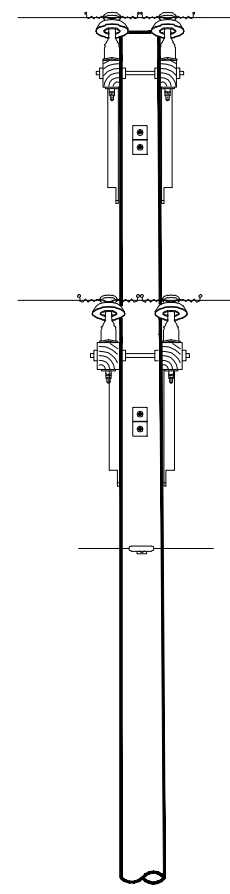
STRUCTURE TYPE 2A  
DOUBLE-CIRCUIT TANGENT



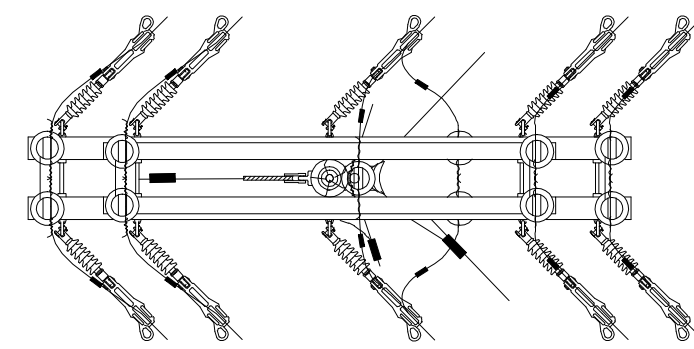
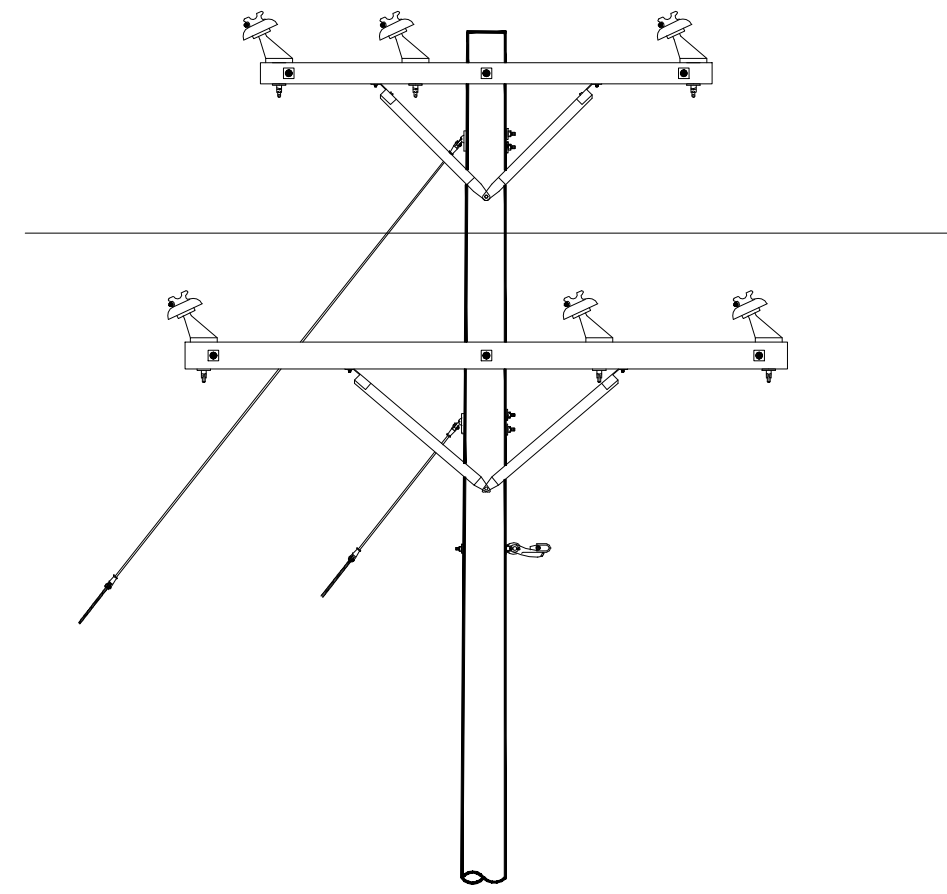
STRUCTURE TYPE 2B  
DOUBLE-CIRCUIT 1-5'



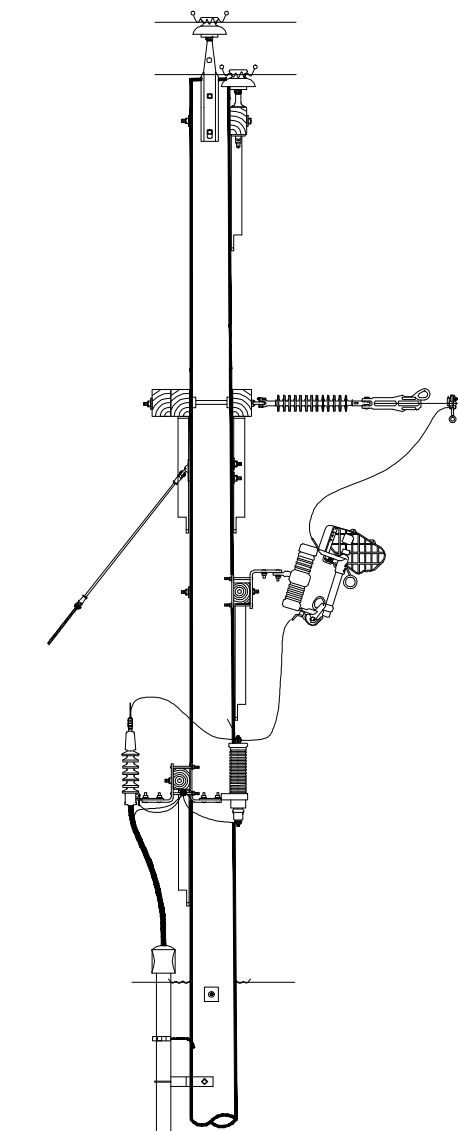
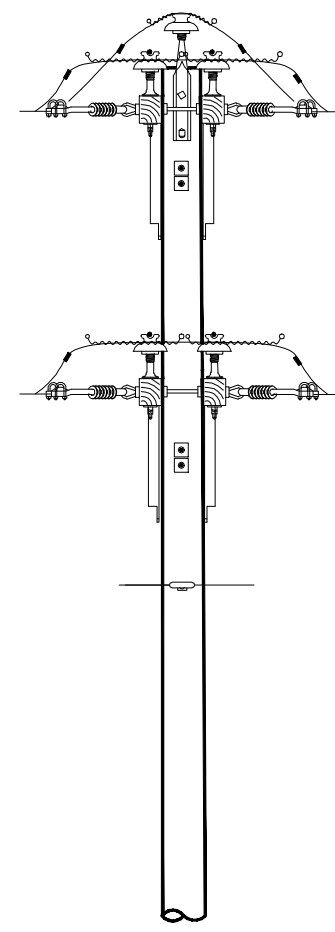
STRUCTURE TYPE 2C  
DOUBLE-CIRCUIT 6-20'



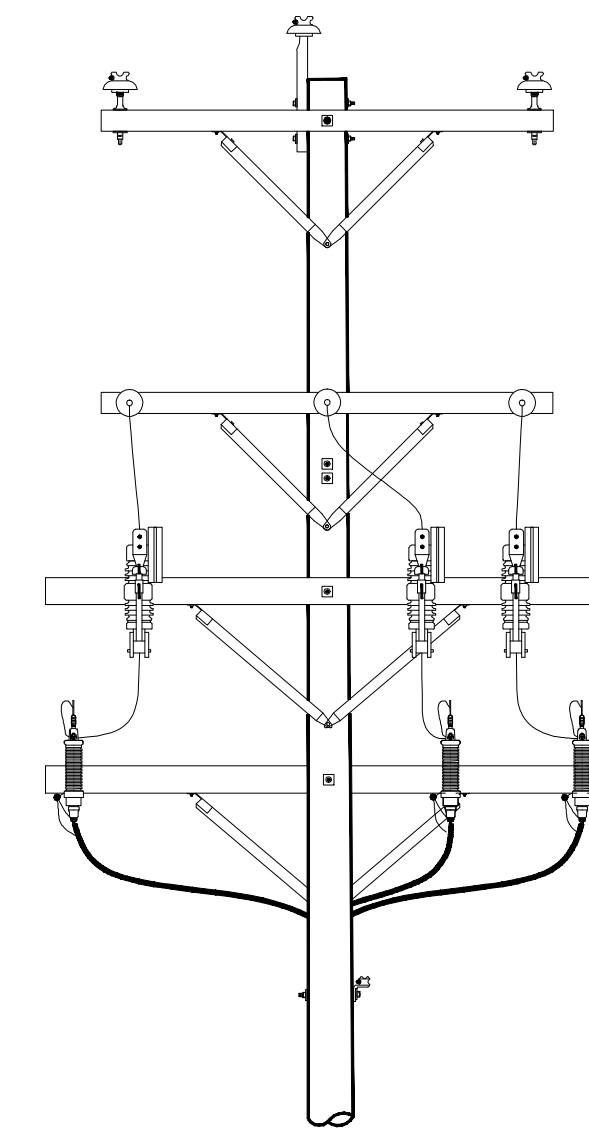
STRUCTURE TYPE 2D  
DOUBLE-CIRCUIT 21-35'



STRUCTURE TYPE 2E  
DOUBLE-CIRCUIT 36-60'



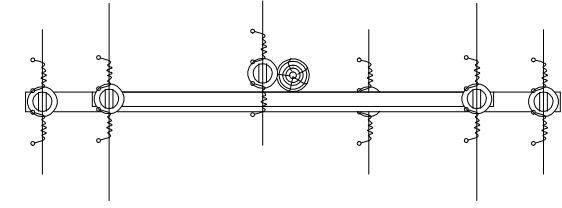
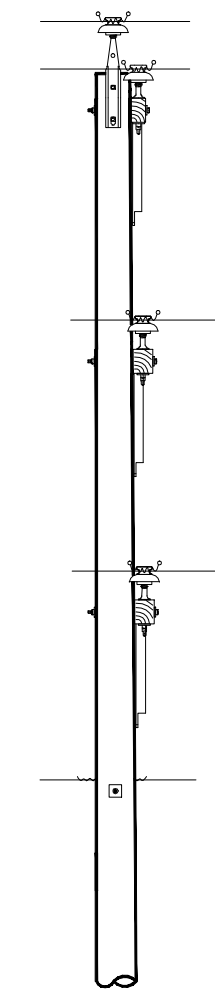
STRUCTURE TYPE 2F  
DOUBLE-CIRCUIT DEAD-END



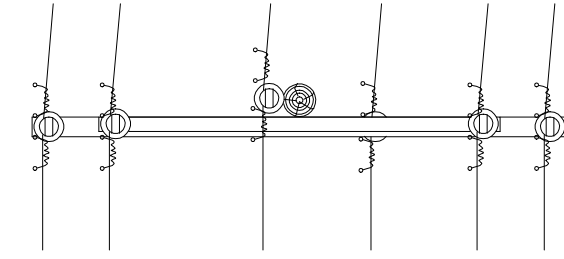
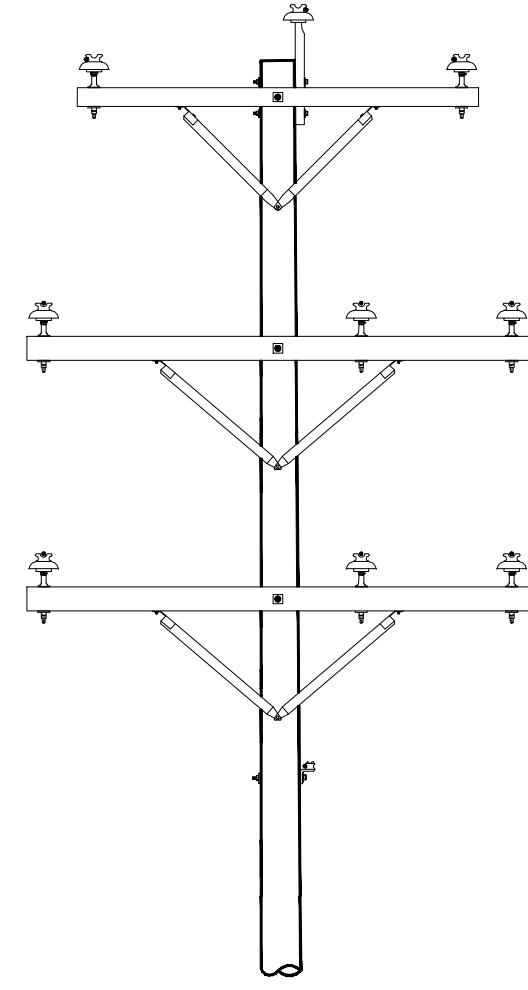
<p><b>SGC ENGINEERING, LLC</b>          • Civil Design &amp; Survey Engineering          • Environmental &amp; Regulatory Permitting          • Electrical Power Systems Engineering</p> <p><b>SGC</b>          SERVING OUR CLIENTS IN THE U.S.A. &amp; CANADA          100 Wells Ave., Suite 201          Newton, MA 02459          Tel: 781-552-1100          Fax: 781-552-1176</p>		<p>APPD: LRB          DATE: 09/24/07</p>
<p>NO. 0</p>		<p>REVISIONS:          PERMITTING REVIEW</p>
<p>SGC Project: 572001          Date: SEPT. 21, 2007          File: LURC DWG          Design: JTF          Appd: LRB</p>		
<p>DETAIL SHEET 2          DOUBLE-CIRCUIT STRUCTURES</p>		
<p>Project: 34.5KV COLLECTOR SYSTEM          STETSON WIND PROJECT          T8 R3 &amp; T8 R4 NBPP, MAINE</p>		
<p>Client: EVERGREEN WIND POWER V, LLC          100 Wells Ave., Suite 201, Newton, MA 02459</p>		
<p>DRAWING          DE-2</p>	<p>SHEET          19 of 22</p>	
<p>DRAWING NUMBER</p>		

**FOR PERMITTING REVIEW ONLY**

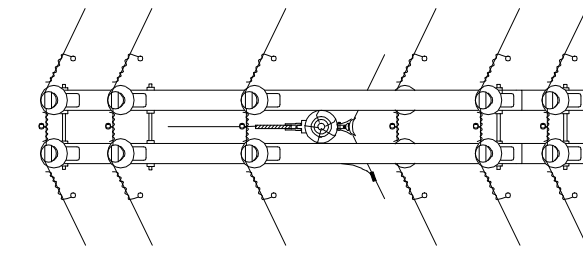
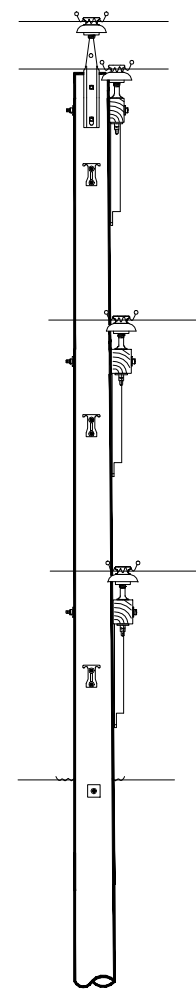




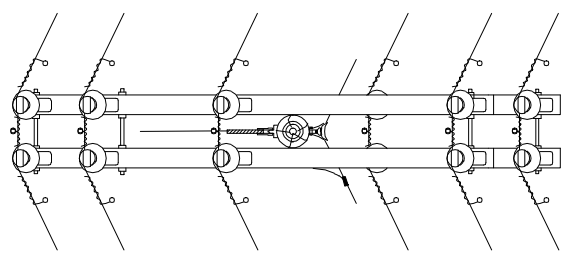
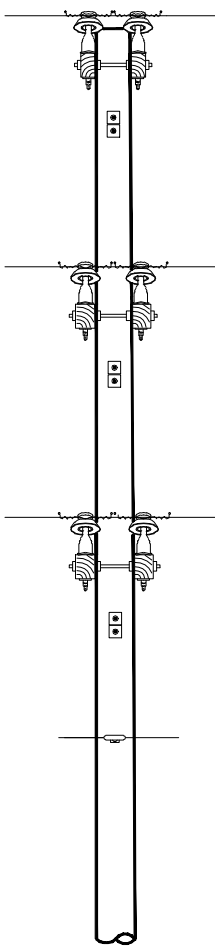
STRUCTURE TYPE 3A  
TRIPLE-CIRCUIT TANGENT



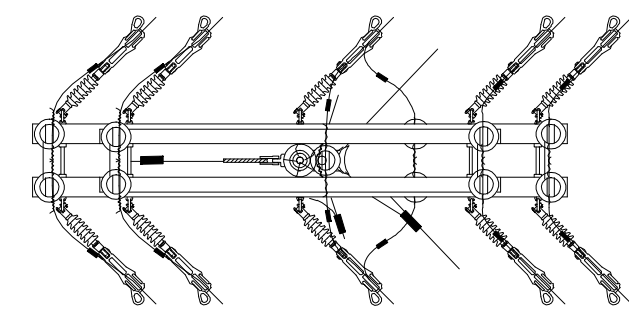
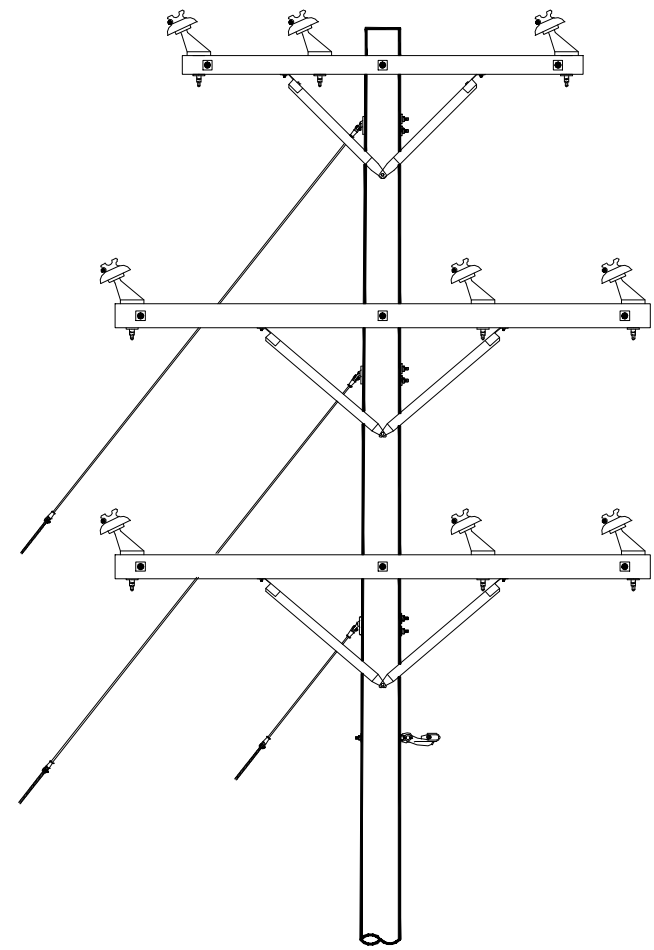
STRUCTURE TYPE 3B  
TRIPLE-CIRCUIT 1-5'



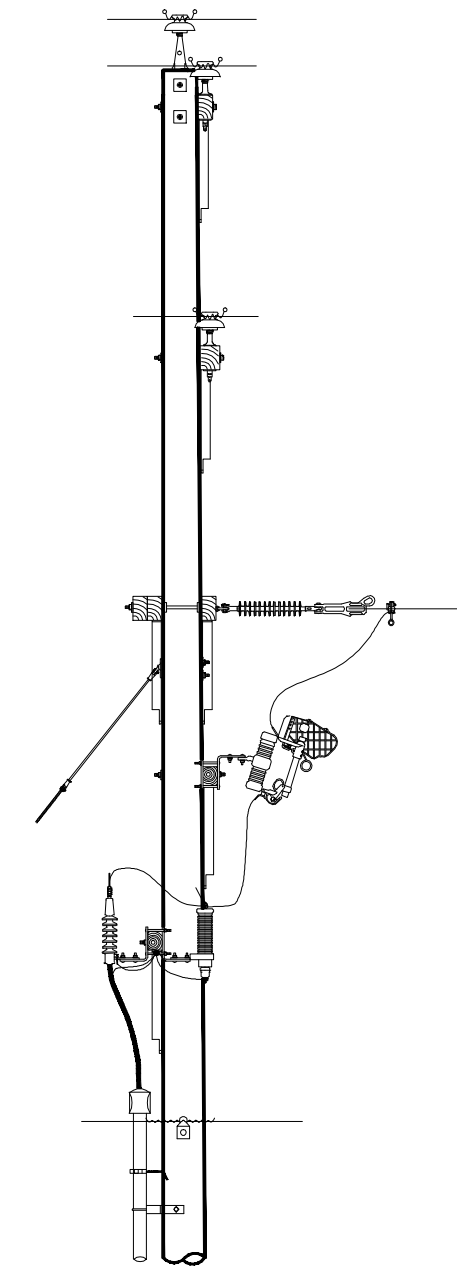
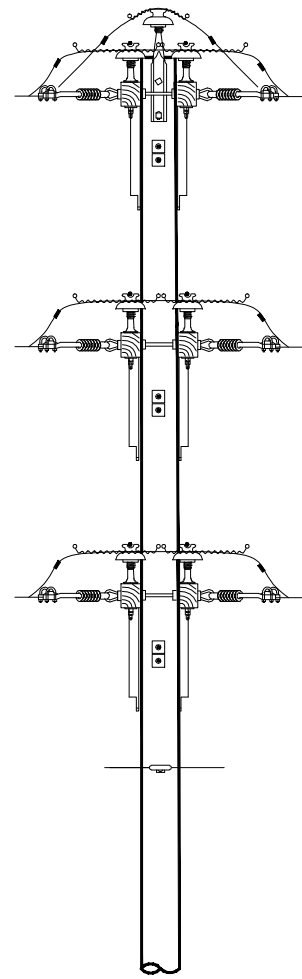
STRUCTURE TYPE 3D  
TRIPLE-CIRCUIT 6-20'



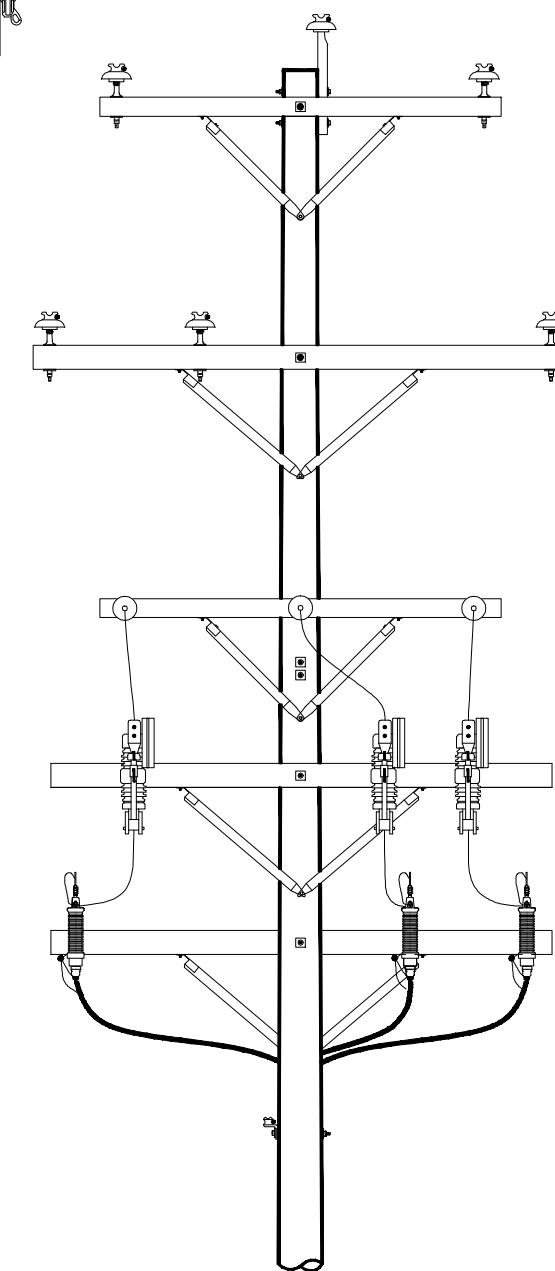
STRUCTURE TYPE 3E  
TRIPLE-CIRCUIT 21-35'



STRUCTURE TYPE 3F  
TRIPLE-CIRCUIT 36-60'



STRUCTURE TYPE 3H  
TRIPLE-CIRCUIT DEAD-END



NO.	0
REVISIONS:	PERMITTING REVIEW
APPD:	LRB
DATE:	09/24/07

**SGC ENGINEERING, LLC**  
 • Civil Design & Survey Engineering  
 • Environmental, & Regulatory Permitting  
 • Electrical Power Systems Engineering

185 County Road  
 Westbrook, Maine 04092  
 Phone: 207-738-8877  
 Fax: 207-738-8878

100 Wells Ave., Suite 201, Newton, MA 02459  
 Phone: 617-552-3171  
 Fax: 617-552-3172

SGC Project: 572001  
 Date: SEPT. 21, 2007  
 Drawn: LURC DWG  
 Design: JTF  
 Appd: LRB

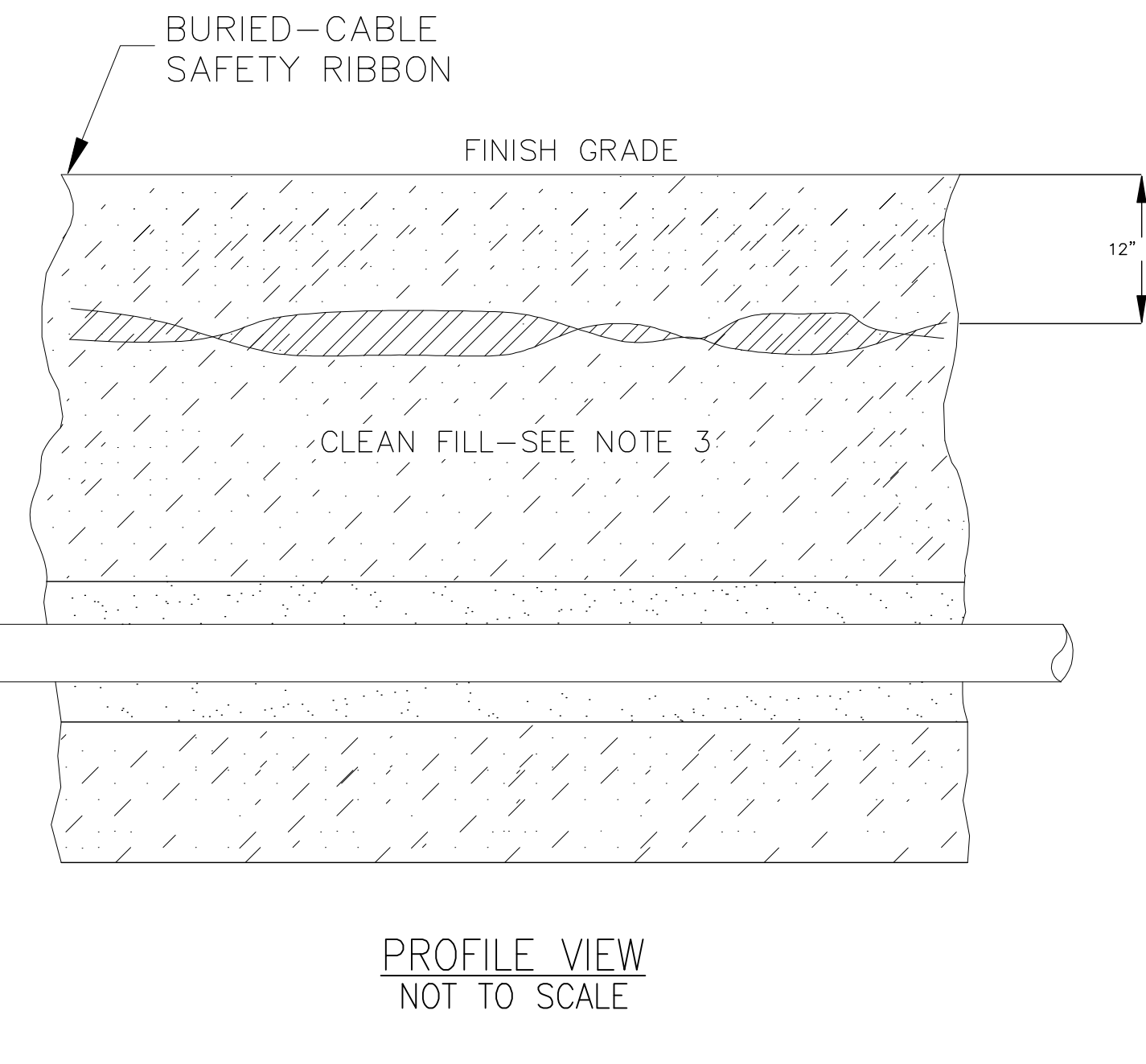
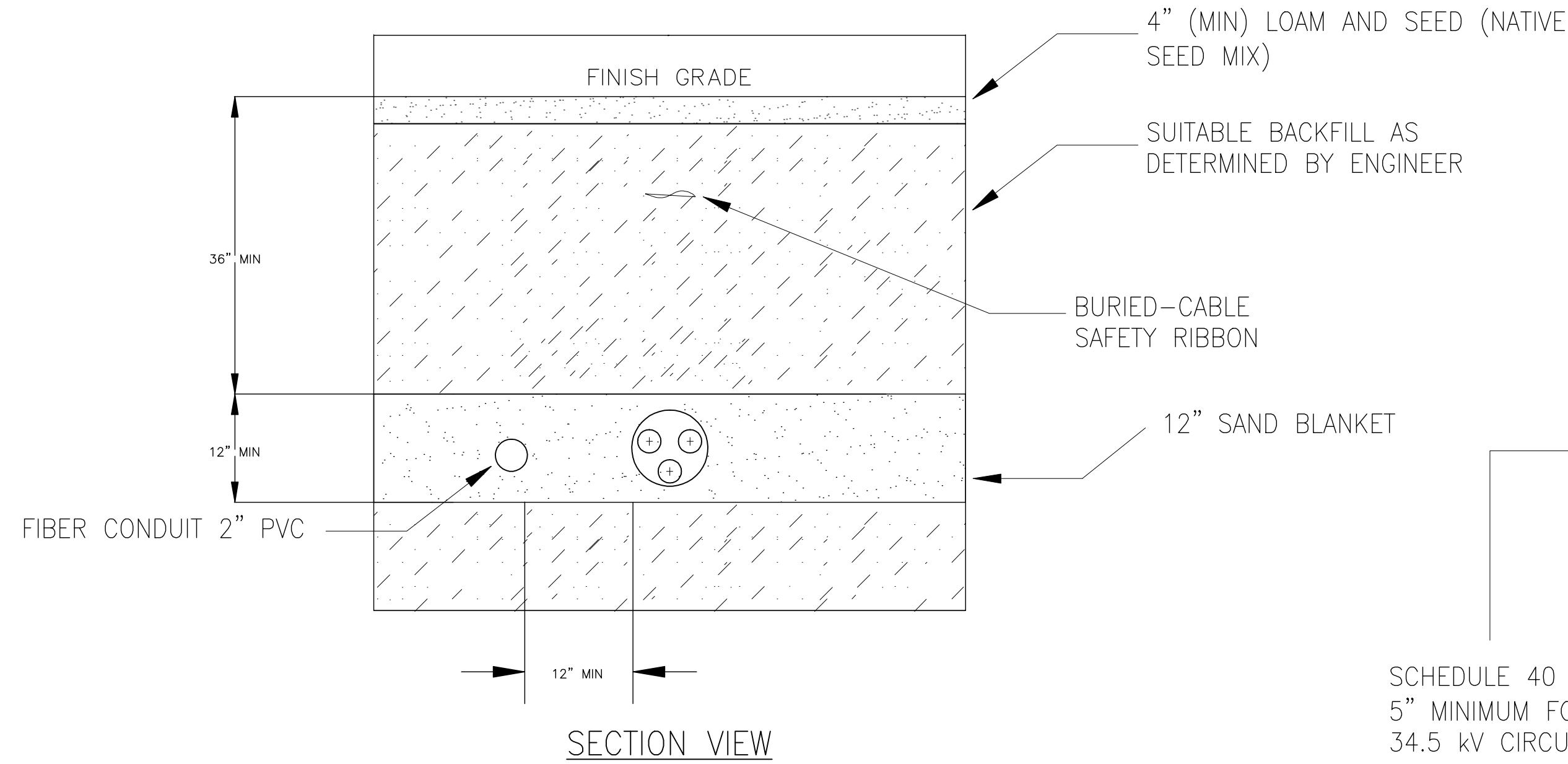
**DETAIL SHEET 3**  
 TRIPLE-CIRCUIT STRUCTURES  
 34.5KV COLLECTOR SYSTEM  
 STETSON WIND PROJECT  
 T8 R3 & T8 R4 NBPP, MAINE  
 EVERGREEN WIND POWER V, LLC  
 100 Wells Ave., Suite 201, Newton, MA 02459

DRAWING SHEET  
 DE-3 20 of 22  
 DRAWING NUMBER

**FOR PERMITTING REVIEW ONLY**



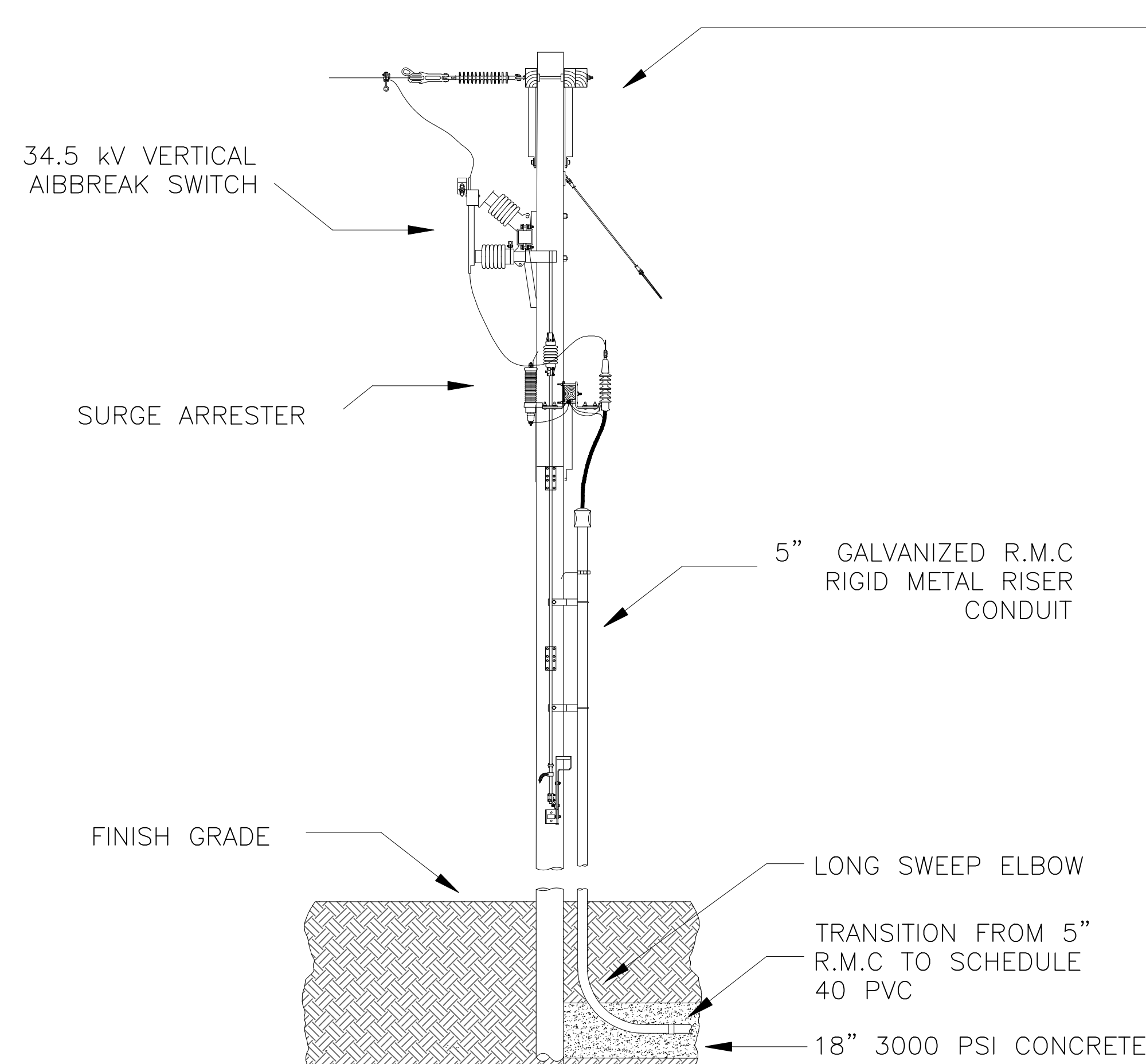
COLLECTOR SYSTEM UNDERGROUND TAP  
CONDUIT BURIAL DETAILS



NOTES:

1. 34.5 kV CONDUIT TO BE 5" O.D. SCH. 40 PVC
2. TELECOM CONDUIT TO BE 2" O.D. SCH. 40 PVC
3. FOR TRENCHES BENEATH ROADWAYS, 18" OF 3000 PSI CONCRETE SHALL BE INSTALLED IN LIEU OF SAND BLANKET. THERE SHALL BE AT LEAST 8" OF CONCRETE ABOVE CONDUITS.
4. CLEAN FILL MUST CONTAIN NO CONSTRUCTION DEBRIS OR ROCK OVER 4" IN DIAMETER

UNDERGROUND ROAD CROSSING DETAILS  
PROFILE VIEW (NOT TO SCALE)

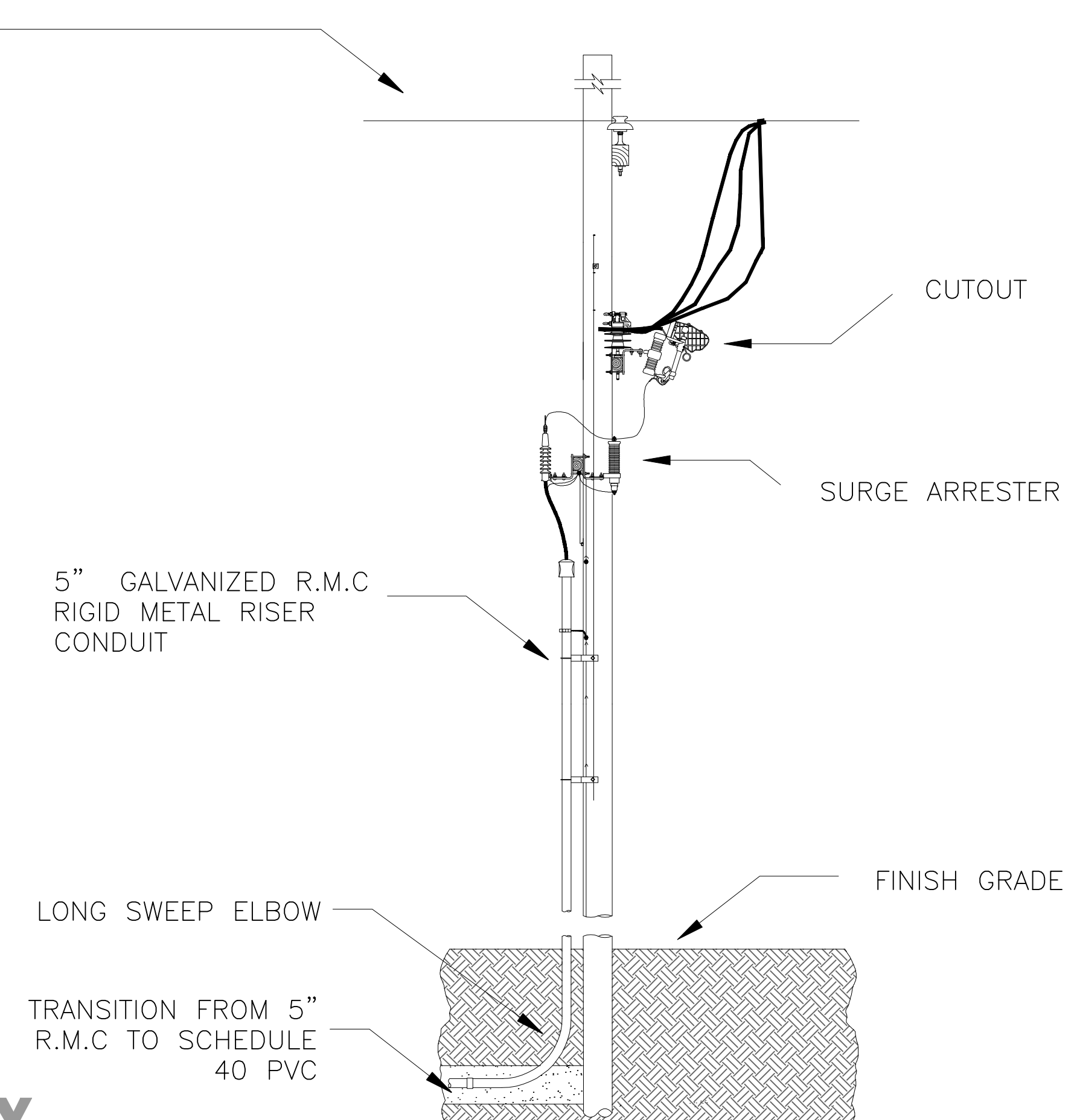


TOP GEOMETRY IS DEPENDENT ON LOCATION;  
ADDITIONAL CIRCUITS MAY BE ABOVE TAP.

NOTES:

1. GENERATOR TAPS TO BE ROUTED UNDERGROUND IN CONDUIT AS SPECIFIED ABOVE TO TERMINATION POINT AT TRANSFORMER PADWELL.
2. WHERE ROUTING THE LINE ACROSS THE ROAD IS NECESSARY, THE GANG-OPERATED AIR-BREAK SWITCH CONFIGURATION SHOWN TO THE LEFT SHALL BE USED.
4. RISER POLE STRUCTURE CONFIGURATION DEPENDENT ON THE NUMBER OF CIRCUITS, AS WELL AS POINT OF INFLECTION.
5. POLES TO BE BURIED AT A DEPTH OF 10% OF POLE HEIGHT PLUS 2 ADDITIONAL FEET.

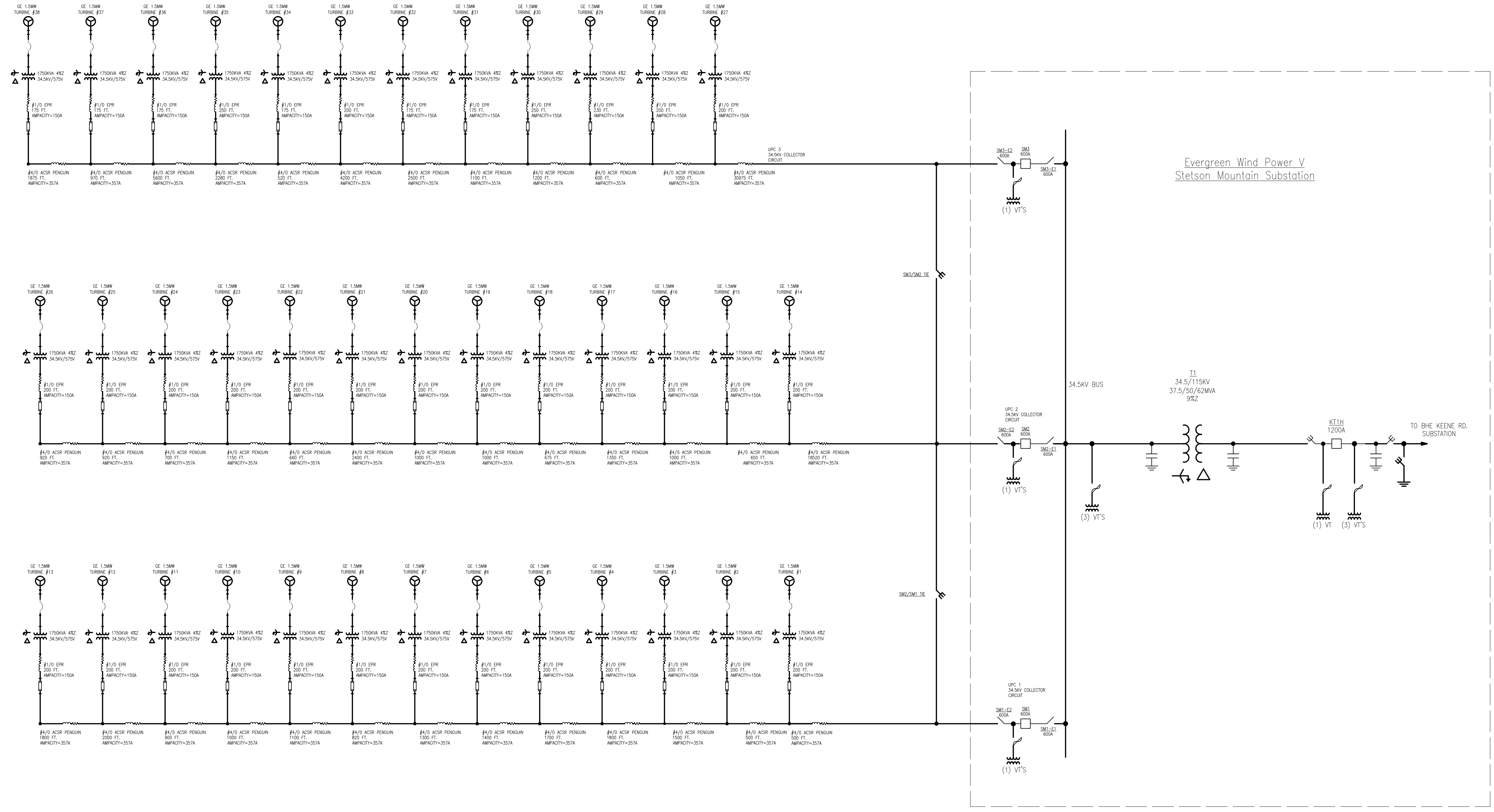
GENERATOR UNIT TAP DETAILS  
PROFILE VIEW (NOT TO SCALE)



APPD:	DATE:
LRB	09/24/07
REVISIONS:	
PERMITTING REVIEW	
NO.	
0	
<p>SGC ENGINEERING, LLC                  • Civil Design &amp; Survey Engineering                  • Environmental, &amp; Regulatory Permitting                  • Electrical Power Systems Engineering</p> <p>187 County Road                  Westbrook, Maine 04092                  Tel: 207-738-8877                  Fax: 207-738-8978</p> <p>SGC Project: 572001                  Date: SEPT. 21, 2007                  Drawn: DWG JTF                  Design: JTF LRB</p>	
<p>DETAIL SHEET 4                  UNDERGROUND &amp; TAP DETAILS                  34.5KV COLLECTOR SYSTEM                  STETSON WIND PROJECT                  T8 R3 &amp; T8 R4 NBPP, MAINE                  EVERGREEN WIND POWER V, LLC                  100 Wells Ave., Suite 201, Newton, MA 02459</p>	
DRAWING	SHEET
DE-4	21 of 22
DRAWING NUMBER	

**FOR PERMITTING REVIEW ONLY**





NO.	0
REVISIONS:	PERMITTING REVIEW
APPD:	LRB
DATE:	08/24/07

Evergreen Wind Power V  
Stetson Mountain Substation

**SGC ENGINEERING, LLC**  
 • Civil Design & Survey Engineering  
 • Environmental & Regulatory Permitting  
 • Electrical Power Systems Engineering

182 County Road  
 Westbrook, Maine 04092  
 Tel: 207-738-8800  
 Fax: 207-738-8801

SERVING OUR CLIENTS IN THE U.S.A. & CANADA

100 Wells Ave., Suite 201  
 Newton, MA 02459  
 Tel: 617-552-8100  
 Fax: 617-552-8101

Project: 572001  
 Date: JULY 12, 2007  
 Drawn: JTF  
 Design: JTF  
 Appd: LRB

DETAIL SHEET 5  
 COLLECTOR SYSTEM ONE-LINE  
 34.5KV COLLECTOR SYSTEM  
 STETSON WIND PROJECT  
 T8 R3 & T8 R4 NBPP, MAINE  
 EVERGREEN WIND POWER V, LLC  
 100 Wells Ave., Suite 201, Newton, MA 02459

DRAWING	SHEET
DE-5	22 of 22
DRAWING NUMBER	

FOR PERMITTING REVIEW ONLY